



# **BERMUDA KENNEL CLUB OBEDIENCE RULES**

**AMMENDED December 2022**

# **THE BERMUDA KENNEL CLUB**

## **INDEX**

### **OBEDIENCE TRIAL REGULATIONS**

#### **OBEDIENCE TRIALS PURPOSE INTERPRETATIONS**

#### **CHAPTER I REGULATIONS FOR TRIAL-GIVING CLUB**

- |         |     |                                     |
|---------|-----|-------------------------------------|
| Section | 1.  | Trial Dates                         |
|         | 2.  | Official & their Duties             |
|         | 3.  | Veterinarians/Veterinary Inspection |
|         | 4.  | Selection & Approval of Judges      |
|         | 5.  | Judges                              |
|         | 6.  | Premium Lists                       |
|         | 7.  | Program of Judging                  |
|         | 8.  | Prizes & Ribbons                    |
|         | 9.  | Rings, Equipment & Facilities       |
|         | 10. | Catalogue                           |
|         | 11. | Discipline                          |
|         | 12. | Participation                       |
|         | 13. | End of Trial                        |
|         | 14. | No Liability                        |
|         | 15. | Sanctioned Obedience Matches        |

#### **CHAPTER II REGULATIONS FOR EXHIBITORS/HANDLERS**

- |         |    |                           |
|---------|----|---------------------------|
| Section | 1. | Entries & Entry Fees      |
|         | 2. | Disqualifications         |
|         | 3. | The Dogs & their Handlers |
|         | 4. | Classes & Exercises       |
|         | 5. | Titles & Certificates     |
|         | 6. | Cancellations             |
|         | 7. | Protests                  |

#### **CHAPTER III REGULATIONS FOR PERFORMANCE & JUDGING**

- |         |    |                             |
|---------|----|-----------------------------|
| Section | 1. | Regulations for Performance |
|         | 2. | Regulations for Judging     |

3. Performance of Exercises & Judging  
Standards:  
Heel on Leash  
Stand for Examination  
Heel Free  
Sit Stay – Get Your Leash  
Recall & Drop on Recall  
Novice Group Exercise  
Command Discrimination  
Stand Stay – Get your Leash  
Retrieve on Flat  
Retrieve over High Jump  
Broad Jump  
Signal Exercise  
Scent Discrimination  
Seek Back  
Directed Jumping  
Group Examination

**CHAPTER IV  
AMENDMENTS**

**APPENDIX I**

**A list of breeds designated by The Bermuda Kennel Club for Indefinite Listing Privileges**

**APPENDIX II**

**REGULATIONS GOVERNING SANCTIONED OBEDIENCE MATCHES**

**APPENDIX III**

**TABLE OF MEASUREMENTS FOR JUMPS**

**SUGGESTED CONSTRUCTIONS OF JUMPS:  
DIAGRAMS**

Copies of these Regulations may be obtained from:

The Bermuda Kennel Club  
P.O. Box HM 1455  
Hamilton HM FX  
Bermuda

**THE BERMUDA KENNEL CLUB  
OBEDIENCE TRIAL REGULATIONS**

**OBEDIENCE TRIALS PURPOSE**

The purpose of obedience trials is to demonstrate the usefulness of the dog as a companion of man, not merely the dog's ability to follow specified routines in the obedience ring. The basic objective of obedience training is to produce dogs which have been conditioned always to behave in the home, in public places, and in the presence of other dogs in a manner that will reflect credit on the sport of obedience, and all participants in a trial should be guided by the principles of good sportsmanship both in and outside the ring.

**INTERPRETATIONS**

Wherever used in these Regulations, the following interpretations shall apply:

- [a] The word "dog" refers to either sex but only to dogs that are pure-bred of a breed eligible for registration with The Bermuda Kennel Club, and to eligible unregistered dogs, or pure-bred dogs such other breeds as may be designated by the Board of Governors of The Bermuda Kennel Club, whose owners have been granted an Indefinite Listing Privilege by The Bermuda Kennel Club,\*or to mixed breed dogs registered with The Bermuda Kennel Club Mixed Breed Registry.
- [b] The words "immediate family", unless otherwise indicated, mean husband, wife, father, mother, son, daughter, brother or sister, living in the same household.
- [c] The words "Board of Governors" mean the Board of Governors of The Bermuda Kennel Club.
- [d] The word "club", except as otherwise indicated, means a club, organization or association formed for the purpose of promoting the welfare of all dogs.
- [e] The word "exhibitor" means the owner or co-owners of the dog.
- [f] The word "qualifying score" means a score of more than 50% of the available points in each of the exercises and a total score of 170 or more points in the class entered.

- A list of the breeds designated by The Bermuda Kennel Club for Indefinite Listing Privileges will be found in Appendix I.

# **CHAPTER I**

## **REGULATION FOR TRIAL-GIVING CLUBS**

### **SECTION 1. TRIAL DATES**

**Subsection 1.** A club may make application for permission to hold an obedience trial on a date or dates which shall be clearly specified in its application. Only a club whose President, Secretary or Obedience Trial Secretary is a member in good standing with The Bermuda Kennel Club may apply for a trial date or dates. The application must clearly state the date(s) and location where the trial is to be held; and it must reach the Secretary of The Bermuda Kennel Club for approval by the Board of Governors [or such sub-committee as may be empowered to grant dates] at least one month prior to the date[s] of the proposed trial.

A specialty club may apply for permission to hold an obedience trial, but must permit all eligible pure breed dogs and mixed breed dogs to enter such trial.

The number of trials granted a club in any one year shall be left to the discretion of the Board of Governors of The Bermuda Kennel Club.

**Subsection 2.** A trial-giving club must not advertise or publish the date of any trial, which it proposes holding until that date has been approved by The Bermuda Kennel Club.

**Subsection 3.** The approval of date[s] shall be subject to the subsequent endorsement of the list of selected judges.

### **SECTION 2. OFFICIALS AND THEIR DUTIES**

**Subsection 1.** Only those persons in good standing with The Bermuda Kennel Club may act in any official capacity at obedience trials held under these Regulations. Any person or persons acting in any official capacity at such trials shall be subject to disciplinary action at the discretion of The Board of Governors of The Bermuda Kennel Club.

The duties and powers of all trial officials shall be such as are prescribed by the Board of Governors. The Trial Secretary and Trial Superintendent of a club holding an obedience trial under these Regulations shall be provided with a printed directive outlining procedure for setting up a trial and information regarding the duties of the Trial Superintendent and ring stewards.

**Subsection 2.** If an obedience club holds a trial, an obedience trial committee must be appointed by the club, and this committee shall exercise all the authority vested in a dog show committee. If an obedience club holds its trial in conjunction with a dog show, and then the obedience trial committee shall have sole jurisdiction only over those dogs entered in the trial; provided, however, that if any dog is entered in both obedience and breed classes, then the obedience trial committee shall have jurisdiction over such dog, its owner and its handler, only in matters pertaining to the regulations for obedience trials, and the dog show committee shall have jurisdiction over such dog, its owner and its handler, in all other matters.

When an obedience trial is to be held in conjunction with a dog show by the club which has been granted permission to hold that dog show, the club's show committee shall include one person to be designated a "Obedience Chairman". At this event, the show committee shall have sole jurisdiction over all matters, which may properly come before it, regardless of whether the matter has to do with the dog show or with an obedience trial.

**Subsection 3.** Trial Superintendent and other members of obedience trial committees shall be responsible for the enforcement of all rules and regulations related to the trials, and must be supplied with a complete copy of The Bermuda Kennel Club Obedience Trial Regulations for reference.

**Subsection 4.** The decisions of the obedience trial committee or the dog show committee, if the trial be held by a show-giving club, shall be conclusive in all matters arising at the trial and shall bind all parties, subject, however, to the rules of The Bermuda Kennel Club.

### **SECTION 3. VETERINARIANS AND VETERINARY INSPECTION**

**Subsection 1.** Every obedience trial shall have one or more qualified veterinarians in attendance, or within easy call, before and during the entire progress of the trial.

**Subsection 2.** The obedience trial committee must elect whether all dogs are to be inspected in respect to their apparent health before being admitted to the trial or whether dogs will be allowed to enter the trials premises without inspection. If the committee decides that all dogs are to be inspected by one of the trials veterinarians before being allowed to enter the trial's premises, the designation "Examined Trial" shall be printed on the title page of the premium list and the catalogue and an identification card will be sent to each exhibitor.

**Subsection 3.** At an "Examined Trial" the veterinarian shall sign every identification card after examining the dog can be admitted to the trial premises. Veterinarians shall be furnished with a receptacle containing a proper disinfectant for the use after handling each dog. A veterinarian who desires a dog's mouth to be opened may request the owner or person in charge to open it.

**Subsection 4.** When requested by the judge to determine the physical condition of a dog, or when giving an opinion on a protest to the obedience trial committee, the veterinarian shall immediately record his decision in writing on a form provided by The Bermuda Kennel Club giving the basis for his decision or opinion.

**Subsection 5.** A Report of any infraction of the rules in this Section must be made to the Board of Governors of The Bermuda Kennel Club within ten days after the closing of the trial.

## **SECTION 4. SELECTION AND APPROVAL OF JUDGES**

**Subsection 1.** A club that has been granted permission by The Bermuda Kennel Club to hold a trial, must make an for approval of the judges selected to officiate, together with their specific assignments, at least one month before the trial dates.

If the Board of Governors [or such sub-committee as may be empowered to approve such application] is not prepared to approve a person elected as judge, or is not prepared to approve the entire assignment a person has been scheduled to judge, the club must, within three weeks thereafter, select and submit to The Bermuda Kennel Club the name or names of alternative persons to judge the obedience classes for assignments not previously approved.

The trial-giving club must not advertise or publish the name or names of any of the judges it has selected until the complete list of judges has been approved.

**Subsection 2.** The trial Secretary or Club Secretary shall, in every instance, notify the appointed judges of the classes, which they have been approved to judge. Such notification shall be given before the publication of the premium list.

**Subsection 3.** No change may be made in the judging schedule without the written approval of both the judge and The Bermuda Kennel Club.

**Subsection 4.** The Bermuda Kennel Club will not approve as judge for any given trail the Superintendent, Trial Secretary or Trial Veterinarians, and such persons cannot officiate or judge at such trials under any circumstances.

**Subsection 5.** Any person holding a license to judge obedience classes from a national kennel club recognized by The Bermuda Kennel Club will be eligible to judge such classes at trails held under these Regulations.

When the Board of Governors receives what is considered to be a well-founded complaint against a licensed judge, it may, at its discretion, withhold approval to such judge.

**Subsection 6.** A trial-giving club, which is informed at any time prior to a week before the opening day of its trial that an advertised judge will not fulfill his assignment to judge shall obtain a substitute judge who must be approved by The Bermuda Kennel Club. Notice of the name of the substitute judge must be given to all those who have entered dogs in the classes allotted to be judged by the advertised judge. Such persons shall be permitted to withdraw their entries at any time prior to the opening day of the trial and the entry fees paid for entering these dogs will be refunded.

If a trial-giving club is informed at any time within a week of the opening of its trial of a judge's inability to judge, or if an advertised judge shall not be present or shall be unable to judge his appointed obedience classes at any trial after the trials have opened; the trial-giving club shall provide a substitute judge in his place. In that event, the owners of the dogs to be judges by the substitute judge may refuse to bring their dogs into the ring for judging and may withdraw them

from the trials, but they shall not be entitled to a return of the entry fees paid for entering the dog at that trial.

**Subsection 7.** Where an advertised judge shall have judged part of his appointed obedience class and then finds it impossible to finish, a substitute judge shall be selected by the trial committee, and in that event the scores awarded by the original judge shall stand, and his substitute shall judge only the remaining entries in that class. A dog that has already completed part of the exercises under the originally selected judge shall complete the remaining exercises pertaining to that class under the substitute judge. However, any dog that has yet to enter the ring may be withdrawn from competition though the entry fee will remain the property of the trial-giving club.

**Subsection 8.** A substitute judge shall finish the judging of the dog he is judging if he has begun to judge before the advertised judge arrives at the trial.

## **SECTION 5. JUDGES**

**Subsection 1.** A judge officiating at a trial must report to the Trial Superintendent at the advertised judging hour of the classes, which he is to judge. No judge shall enter into any discussion of dogs prior to the judging of such classes.

**Subsection 2.** While judging, a judge may not discuss the merits of the dogs with the stewards, attendants, exhibitors or spectators.

**Subsection 3.** No judge shall be allowed to smoke while judging.

**Subsection 4.** A judge shall not open the mouth of any dog during the course of judging.

**Subsection 5.** It is the joint responsibility of the judge and the owners of the dogs entered in trials to see that the rules contained in Chapter II, Section 1, Subsection 15 and 16 of these Regulations are not violated. Where a judge is aware that a violation of these rules is taking place, he shall excuse the dog entered in violation of such rules from the judging ring, and shall indicate in the judge's book why such action has been taken. The Trial Superintendent shall endorse this notation.

**Subsection 6.** A judge may order any person or dog from the ring. For the purpose of facilitating the judging, judges are required to exclude from the ring in which they are judging all persons except the stewards, the trial attendants assigned to the ring and those actually engaged in competition.

**Subsection 7.** A dog that is lame may not compete at any trial. It shall be the judge's responsibility to determine whether a dog is lame. He shall not obtain the opinion of the trial veterinarian. If in the judge's opinion a dog in the ring is lame, he shall not score the dog, and shall promptly excuse it from the ring and mark his book "Excused – lame".

**Subsection 8.** A dog that in the opinion of the judge menaces or threatens or exhibits any sign that it may not be safely approached by the judge or examined by the judge in the manner laid down for the STAND FOR EXAMINATION exercise shall be excused from the ring. When the judge excuses the dog, he shall mark the dog "Excused", stating the reason in the judge's book.



**Subsection 9.** The judge will disqualify any dog that attempts to attack any person in the ring.

The judge will excuse a dog that attacks another dog in the ring or that appears dangerous to other dogs in the ring. The owner of any dog which has been excused on two occasions for attacking another dog in the ring will be notified that the dog is not longer eligible to be shown in obedience classes.

When a judge disqualifies or excuses a dog, the disqualification or excusal and the reason thereof must be recorded in the judge's book. The owner or handler of the dog must be advised of the reason before he leaves the ring.

**Subsection 10.** A judge's decision shall be final in all matters affecting the scoring and the working of the dogs and their handlers.

**Subsection 11.** A judge's decision as marked in the judge's books cannot be changed by him after the close of the trial, but The Bermuda Kennel Club may correct a clerical error appearing on the judge's book, after consultation with the judge.

**Subsection 12.** If a judge disqualifies or excuses a dog at any trial, he shall give his reasons for such action in the judge's book or in a separate report.

**Subsection 13.** A fee as determined annually by the Board of Governors must accompany any complaint against a judge. The Board of Governors shall determine the procedure to be followed in the handling of a complaint against a judge.

**Subsection 14.** A trial-giving club shall request the co-operation of the officiating judge in dealing with apprentice judges.

## **SECTION 6. PREMIUM LISTS**

**Subsection 1.** The awards at an obedience trial will be officially recorded by The Bermuda Kennel Club only if the certification of the Secretary of The Bermuda Kennel Club [or the Chairman of such sub-committee as may be empowered by the Board of Governors to grant dates] is published on the first page of the premium list stating that permission has been granted for the obedience trial to be held under Bermuda Kennel Club rules.

**Subsection 2.** A standard premium list and entry forms of an approved form as authorized by the Board of Governors must be published by all clubs holding obedience trials under these Regulations. The premium list shall include information as to the classes in which entries may be made, a complete list of all prizes offered for competition at the trial, the names of the judges and their assignments, the name of the Trial Superintendent, the Trial Secretary and the Trial Veterinarians, and the date of which the entries for the trial shall close. Where the obedience trial is to be held in conjunction with a dog show, separate closing dates for the obedience and show entries shall be allowed. If all dogs are to be inspected by a veterinarian before being admitted to the trial, the designation "Examined Trial" shall be printed on the title page of the premium list.

In the case of limited entries, the premium list shall also contain information as defined in Chapter I, Section 7, of these Regulations.

A trial-giving club may, subject to the approval of The Bermuda Kennel Club and in addition of the official classes as set out in Chapter II, Section 4, offer unofficial classes, provided a clear and complete description of the eligibility and performance requirements for each class appears in the premium list.

**Subsection 3.** A copy of the premium list and entry form must be emailed to the Bermuda Kennel Club at the time of distribution to prospective exhibitors.

**Subsection 4.** No prizes may be accepted or offered by any trial-giving club unless they have been published in the premium list of the trial, nor may any prizes be withdrawn of the conditions thereof changed after they have been published in the premium list.

**Subsection 5.** At a trial-giving club's discretion a refund of entry fees may be offered if a dog becomes unfit to compete after the close of entries. If refunds are to be offered they must be mentioned in the Premium List together with the following conditions:

- a) the owner or handler must notify the trial-giving club not less than 24 hours prior to the start of the first trial.
- b) a veterinary health certificate stating the reason the dog is unfit may be required by the Obedience Trial Committee to be submitted to the club prior to any such refund.
- c) the dog shall be marked "absent – unfit" and shall remain absent for all of the trials in the series.

Unfit dog are defined as any dog that has had an illness, injury, surgery or is a bitch in season.

**Subsection 6.** A trial-giving club may, subject to the approval of The Bermuda Kennel Club and in addition of the official classes as set out in Chapter II, Section 4, offer unofficial classes, provided a clear and complete description of the eligibility and performance requirements for each class appears in the premium list

## **SECTION 7. PROGRAMME OF JUDGING**

**Subsection 1.** A club holding an obedience trial [either as a separate event or in conjunction with a dog show] must prepare, after the entries have closed, a programme showing the time scheduled for the judging of the various classes. This programme shall be based on the judging of no more than 8 Novice entries, 7 Open entries or 6 Utility entries per hour during the time the trial will be open as published in the premium list, taking into consideration the starting hour for judging, if published in the premium list, and the availability of rings. No judge shall be scheduled to exceed this rate of judging and no judge shall be assigned to judge for more than eight hours in any one day under this formula, including any breed judging assignment if the obedience trial is hold in conjunction with a dog show. Reasonable intermissions will be allowed for meals.

This judging programme shall be adhered to as nearly as possible and no class shall be judged prior to the time stated on the programme unless all participants are present and agree to start.

A copy of the judging programme shall be sent to the owner of each entered dog. A copy of the judging programme shall also be sent to each judge and the judging programme shall be printed in the catalogue.

**Subsection 2.** Entries may be limited in any or all classes if the facilities are limited; prominent announcement of such limits must appear on the title or cover page of the premium list, or immediately under the obedience heading in the premium list of a combined dog show and obedience trial.

**Subsection 3.** If, where a club chooses not to limit entries, it is found upon the closing of entries that the entry under any judge exceeds the limit established in Subsection 1 above, the club shall immediately obtain the approval of The Bermuda Kennel Club for a reassignment of its advertised judges, or for the appointment of one or more additional judges, so that the duties of no judge shall exceed the limit. Immediately after obtaining approval of such changes, the club shall notify the owner of each entry so affected, a notification of the change of judge; and the owner shall be permitted to withdraw such entry at any time prior to the opening day of the trial and the entry fee paid shall be refunded.

If the entry in any one class is split in this manner, the advertised judge shall judge the run-off of any tie scores that may develop between the groups of dogs in that one class, after each judge has first run-off any ties resulting from his own judging.

## **SECTION 8. PRIZES AND RIBBONS**

**Subsection 1.** Prizes at an obedience trial must be offered to be won outright and to be awarded automatically on the basis of the qualifying scores earned by the dogs competing at the trial, with the exception that a prize, which requires three wins by the same owner, not necessarily with the same dog, may be offered for permanent possession.

All prizes must be in accordance with their description in the list of prizes as published in the premium list. No prize may be offered or accepted by any trial-giving club except those listed in the list of prizes published, nor may any be withdrawn or the conditions thereof changed after publication.

**Subsection 2.** A ribbon shall be provided for each dog, which receives a qualifying score in an official class at an obedience trial held under these Regulations. The ribbon must identify the club holding the trial, its colour must be turquoise, it must call the crest of The Bermuda Kennel Club and it must bear the words “Qualifying Score”.

Prize ribbons or rosettes shall also be awarded to dogs with qualifying scores, using the following colours:

First Prize – Blue  
Second Prize – Red

Third Prize – Yellow  
Fourth Prize – White

In unofficial classes at obedience trials held under these Regulations prize ribbons [but not “Qualifying Score” ribbons] may be awarded to dogs with qualifying scores.

Rosettes may be offered for special awards in official classes. They shall be red, white and blue in colour, must identify the club holding the trial, carry the crest of The Bermuda Kennel Club and clearly indicate the award presented. Each ribbon or rosette shall be of such size as may be prescribed by the Board of Governors.

**Subsection 3.** A club which gives a split class may offer prizes on the basis of scores earned in each section, but shall award prize ribbons only to the four dogs with the highest qualifying scores in the class, regardless of the section in which the scores were earned and after any tie-score has been decided by a run-off as laid down in Section 7 of this Chapter.

**Subsection 4.** Delivery of the prizes or ribbons to the person handling the dog in the ring shall constitute full delivery of the prize or ribbon to the rightful owner unless the prize given in the ring does not correspond to the prize offered in the premium list.

**Subsection 5.** Trial-giving clubs shall be held responsible for providing the required ribbons and rosettes, as well as the prizes advertised in the premium list. Failure to do so shall subject all officials of the offending club to disciplinary action by the Board of Governors.

## **SECTION 9. RINGS, EQUIPMENT & FACILITIES**

**Subsection 1.** Except where otherwise prescribed in these Regulations, the trial-giving club shall provide all equipment required for the proper conduct of an obedience trial under these Regulations.

**Subsection 2.** At outdoor trials held at dog shows, a separate ring(s) shall be provided for obedience classes and a sign forbidding anyone to permit any dog to enter such ring(s), except when being judged, shall be erected by the Trial Superintendent, and it shall be his duty as well as that of the obedience trial committee to enforce this rule. At indoor trials where limited space does not permit the exclusive use of rings for obedience trials, the same rules will apply after the obedience rings have been set up.

**Subsection 3.** Where the judging takes place indoors, the ring must be at least 30 feet wide and 50 feet long, and it must be cleaned immediately before the judging starts if it has been previously used for breed judging. The floor shall have a surface or covering that provided firm footing for the largest dogs, and rubber or similar non-slip material for the take-off and landing at all jumps.

Where the judging takes place outdoors, the rings shall be at least 40 feet wide and 50 feet long. The ground must be clean and, for Open and Utility classes, it must be level. The grass, if any, must be cut short. In the case of inclement weather at an outdoor event, the rules as to ring size may be modified while adhering as closely as possible to the required dimension.

**Subsection 4.** The trial-giving club must provide standard armbands with numbers that can be clearly seen from the ringside, and the person handling the dog in the ring must wear an armband bearing the catalog number of the dog being judged.

**Subsection 5.** The trial-giving club must provide adequate exercising space at the trial, and adequate sanitary facilities for the competitors.

**Subsection 6.** The trial-giving club must take adequate steps to ensure orderliness and cleanliness during the trial.

**Subsection 7.** The trial-giving club must provide an ordinary folding rule or steel measuring tape and must have available, through the obedience trial or show committee, at least one complete copy of the Obedience Trial Regulations of The Bermuda Kennel Club.

**Subsection 8.** Judges must be provided with judge's books as authorized by the Board of Governors of The Bermuda Kennel Club.

**Subsection 9.** The "Office Copy" from the judges books, bearing a copy of the judges signature will be made available by the trial-giving club for perusal by competitors as soon as the judging of the class is complete. If an error is noted, it should be reported immediately to one of the stewards or to the Trial Superintendent.

**Subsection 10.** Where an obedience trial is held in conjunction with a benched dog show, a dog entered for obedience trial competition only need be brought to and benched at the show only for the day the obedience classes are to be judged. Unless otherwise stated in the premium list, such dog must conform to the benching requirements of the Dog Show Rules on that day. It is the responsibility of the show-giving club to provide adequate benching and or cages for every dog entered; it must also post signs indicating the benching arrangements and advising the public not to handle the dogs in any way, stating that they do so at their own responsibility if such notices are disregarded.

**Subsection 11.** The trial-giving club will be held responsible during the trial for the conduct of competitors and spectators. Any person acting in an objectionable manner must be removed from the trial on complaint to the Trial Superintendent.

## **SECTION 10. CATALOGUE**

**Subsection 1.** Every club holding an obedience trial under these Regulations must provide a standard catalogue which shall be of an approved form and contain such information as may be ordered by the Board of Governors.

## **SECTION 11. DISCIPLINE**

**Subsection 1.** The Board of Governors shall have the power to take disciplinary action against any club, person, company, partnership or member of The Bermuda Kennel Club.

- [a] for any act of omission or commission which violates any section of these Obedience Regulations; and/or
- [b] for any act which, in the opinion of the Board of Governors, constitutes misconduct of any kind in connection with dogs or obedience trials; and/or
- [c] if a charge is preferred as provided for in the Constitution and Bye-Laws of The Bermuda Kennel Club.

Except as provided in Chapter II, Section 7, “Protests”, disciplinary proceedings shall be as provided for in the Bye-Laws of The Bermuda Kennel Club.

**Subsection 2.** After disciplinary proceedings have been taken as provided in Subsection 1 above, the Board of Governors may impose such penalties as it deems fit.

**Subsection 3.** Any club, member, person, company or partnership failing to pay any fine imposed by the Board of Governors within thirty days following receipt of notice of a fine, automatically forfeits the right to participate in any trial held under these Regulations after the expiration of the thirty day period. The right to participate in any obedience trial, when forfeited, may be restored at any time by order of the Board of Governors.

**Subsection 4.** At the discretion of the Board of Governors, the suspension of a member, or the denial of privileges to a non-member, may be retroactive to the date on which the offense occurred. The Board, at its discretion, may order the cancellation of any or all scores or wins earned by any dogs owned by a person or persons suspended or denied the privileges of The Bermuda Kennel Club when such scores or wins were earned following the date on which the offence occurred.

## **SECTION 12. PARTICIPATION**

**Subsection 1.** The participation in any manner and in any capacity at a competitive event held under these Regulations shall be considered a privilege accorded any person by The Bermuda Kennel Club, and such privileges may be extended and withdrawn by the Board of Governors.

**Subsection 2.** Any person availing himself of the privilege of participating in any manner and in any capacity, including that of a spectator, at a competitive event held under these Regulations shall, by such participation, be deemed to have agreed to the authority of The Bermuda Kennel Club and its Board of Governors.

**Subsection 3.** No person who has been expelled, suspended or debarred from, or deprived of the privileges of, The Bermuda Kennel Club may compete, exhibit, judge, act as an agent or handler for any capacity with competitive events held under the rules of The Bermuda Kennel Club.

**Subsection 4.** In this Section the following interpretation shall apply:

- [a] “person” shall include member, partnership, club, association or corporation;
- [b] “expulsion” when imposed terminates membership in The Bermuda Kennel Club and deprives the person so expelled from all privileges of The Bermuda Kennel Club;
- [c] “suspension” when imposed deprives a member for the period ordered of all the privileges of The Bermuda Kennel Club;

- [d] “deprivation of privileges” when imposed deprives a non-member of all privileges accorded non-members of The Bermuda Kennel Club;
- [e] “termination of membership” when imposed deprives a person of the privileges accorded to members of The Bermuda Kennel Club but permits of his receiving the privileges of The Bermuda Kennel Club accorded to non-members;
- [f] “debarment” when imposed prohibits any person from participating in any competitions or other activities directed, sanctioned, sponsored or authorized by The Bermuda Kennel Club or held under its auspices or under any of its rules, to the extent and subject to the terms imposed by the Board of Governors in any particular case.

### **SECTION 13. END OF THE TRIAL**

**Subsection 1.** The Trial Secretary of the club holding a trial under these Regulations shall be responsible for seeing that, within seven days after the last day of the trial(s) the following are sent to The Bermuda Kennel Club:

- [a] one catalogue which shall be marked with the scores earned in all classes, and also all absentees and dogs disqualified or excused during judging
- [b] all entry forms;
- [c] all judges’ books;
- [d] the list of suspended persons provided by The Bermuda Kennel Club;
- [e] any other information or reports that may be required by The Bermuda Kennel Club.

Where a catalogue is not published, the trial-giving club shall provide typewritten sheets giving all the information normally contained in the catalogue.

**Subsection 2.** The Bermuda Kennel Club may require a trial-giving club to provide a report on any matter or matters connected with its trial. The report must be made within two weeks of the date of which the club receives the request for such a report.

**Subsection 3.** The trial-giving club is responsible for the payment of all listing and recording fees as determined annually by the Board of Governors and such fees shall be remitted to The Bermuda Kennel Club within ten days after the closing of the trial(s).

### **SECTIONS 14. NO LIABILITY**

**Subsection 1.** The Bermuda Kennel Club shall not be responsible to any member, person, partnership, club or corporation for any loss or damage arising at or by reason of any obedience trial held under any rules adopted by The Bermuda Kennel Club.

### **SECTION 15. SANCTIONED OBEDIENCE MATCHES**

**Subsection 1.** A “Sanctioned Obedience Match” is an informal meeting held by a club obtaining the sanction of The Bermuda Kennel Club, at which dogs must compete for ribbons and prizes but no score obtained at such a match shall be considered as a qualifying score towards an obedience title. Sanctioned Obedience Matches shall be governed by specific regulations laid down by the Board of Governors for such matches.\*

\*Current regulations will be found on page 61.

## **CHAPTER II REGULATIONS FOR EXHIBITORS/HANDLERS**

### **SECTION 1. ENTRIES AND ENTRY FEES**

**Subsection 1.** Every dog entered in an obedience trial held under these Regulations must be registered with or eligible for registration with The Bermuda Kennel club, and must be at least six months of age on the first day of the trial.

**Subsection 2.** The following must appear on the entry forms: breed or mixed breed; name of dog and titles; Bermuda Kennel Club registration number if registered with The Bermuda Kennel Club, or foreign registration number, or BKC ILP number \*, or BKC Mixed Breed registration number\*, name of breeder (if known); country of birth; date of birth; name of sire(if known); name of dam(if known); class or classes in which dog is entered; height of dog at withers; name and complete address of owner(s) of the dog; signature of the owner or signature of his authorized agent; name of the handler if the dog is not to be shown by owner or member of his immediate family. If the dog is being held under lease, the name of the leasee shall be given instead of the name of the registered owner. If any part of the required information or signatures is not furnished, such failure may mean the cancellation of any scores or wins earned at that trial by the dog not properly entered as required by these Regulations.

\*Application for an Indefinite Listing Privilege or a mixed breed registration shall be made on a form provided by the BKC and when submitted must be accompanied by a fee set by the Board of Governors.

Proof of payment of the entry fee or the entry fee must accompany every entry form and no dog will be allowed in the judging ring unless the entry fee has been paid in full.

The Board of Governors shall have the power to advise a person entering a dog at a trial held under these Regulations that he may no longer include in the name of a dog any name which, in the opinion of the Board, infringes upon the rights of any person, partnership or company whose kennel name has been registered with The Bermuda Kennel Club or where, in the opinion of the Board, such name is considered to be similar to a kennel name registered with any other national kennel club with which The Bermuda Kennel Club has an agreement with regard to mutual protection of registered kennel names.

Where a person has been advised that he may no longer include a particular name in the name of a dog and said person continues to enter a dog at obedience trials held under these Regulations with such name included, the Board of Governors shall have the power to cancel all scores and wins earned by the dog at trials held after the original advice was communicated to the owner of the dog.



**Subsection 3.** If a purebred dog is not registered individually with The Bermuda Kennel Club, or has not been granted an Indefinite Listing Privilege by the Bermuda Kennel Club, it may be entered at an obedience trial held under these Regulations as a "listed" dog, provided:

- [a] if born in Bermuda, that the litter of which it is a part is registered with The Bermuda Kennel Club;
- [b] if not born in Bermuda, that it is eligible for individual registration with The Bermuda Kennel Club.
- [c] mixed breed dogs must be registered with The Bermuda Kennel Club

A mixed breed dog must be registered with The Bermuda Kennel Club Mixed Breed Register before it can be entered in an obedience trial held under these regulations.

The entry of a "listed" dog at a trial held under these Regulations [sanctioned obedience matches excluded] must be accompanied by a listing fee as determined annually by the Board of Governors. The trial-giving club must remit all listing fees to The Bermuda Kennel Club within ten days after the trial.

The Bermuda Kennel Club shall have the right, at any time, to require the owner of a "listed" dog to submit proof of the dog's eligibility for registration. If the Board of Governors is satisfied that the dog is not eligible for registration, it shall have the right to order the cancellation of all scores, awards and prizes earned by the dog trials held under these Regulations. By failing to comply with the Board's order to return ribbons and/or prizes to the clubs concerned, the owner of the dog automatically renders himself ineligible to enter any dog in any competition approved by The Bermuda Kennel Club for such period as the Board of Governors may determine.

**Subsection 4.** A dog that is lame may not compete at any trial. It shall be the judge's responsibility to determine whether a dog is lame. He shall not obtain the opinion of the trial veterinarian. If in the judge's opinion a dog in the ring is lame, he shall not score such dog, and shall promptly excuse it from the ring and mark his book "Excused -lame".

**Subsection 5.** Every dog entered in a trial shall be the property of the person making its entry, and the right to exhibit a dog cannot be transferred. IF any entry is made in the name of an agent and the name of the owner is not given, all scores and wins of the dog at that trial shall be cancelled. If a dog is entered in the name of an association, the name of the association and the names of its signing officers shall appear on the entry form at the time of making such entry.

**Subsection 6.** Entries must close at the time stated in the premium list, but entries received by post within seven days after that date, and clearly postmarked not less than four full working days prior to entry closing date, any be accepted provided, in the case of a limited entry, the limit has not already been reached.

Where the obedience trial is to be held in conjunction with a dog show, separate closing dates for the obedience and show entries shall be allowed. A club accepting an entry in violation of this rule shall be subjected to a fine as determined annually by the Board of Governors for each entry

so accepted. After entries close the entry forms shall be made available for inspection by a Representative appointed by the Board of Governors, if the Board so desires.

Tendering of an NSF shall be considered non-payment of entry fees and is an offence punishable by disciplinary action and cancellation of awards.

**Subsection 7.** No entry shall be accepted from any person who is not in good standing with The Bermuda Kennel Club and the trial-giving club on the day of the closing of entries, nor may any entry be accepted from any person who has failed to pay any fine levied under these Regulations.

A list of persons not in good standing with The Bermuda Kennel Club, or who have failed to pay any fine levied under these Regulations, shall be supplied to each trial-giving club on receipt of the required copies of the premium list. The Trial Secretary shall be responsible for seeing that this list is returned to The Bermuda Kennel Club after the trial as laid down in Chapter 1, Section 13, Subsection 1 of these Regulations.

**Subsection 8.** Every entry must be printed in the catalogue, errors or omissions on the part of management or printers excepted. Where an entry is not printed in the catalogue, the trial-giving club shall provide proof that such an entry was taken before the closing date.

**Subsection 9.** If clerical errors are made in entering a dog at a trial, such as the incorrect name of the dog, registration number of the dog, name of the breeder, country of birth, date of birth, sire or dam of the dog, the exhibitor shall be advised of his mistake and, if he shall again offend after being so advised, a fine as determined annually by the Board of Governors shall be imposed for each such offence. Owners are responsible for errors in making out entry forms, no matter who may make such errors.

**Subsection 10.** Except as provided below change in the entry of a dog, cancellation of an entry or substitution of another dog is specifically prohibited after the closing date of entries as published in the premium list and any infraction of this rule shall mean automatic cancellation of any wins made through such alterations.

A trial-giving club may if it chooses, and provided it is so announced in the premium list, accept transfers of entry from the class entered to the next class of competition. When this is done, the following conditions shall apply:

Where, according to the records of its owner or handler, a dog entered in a trial or series of trials has been notified by the required number of different judges that the dog has earned three qualifying scores in the class entered after the closing of entries, but this has not yet been confirmed by The Bermuda Kennel Club which must be filed with the Trial Superintendent not less than one hour prior to the start of all judging at the subsequent trial[s] of the series. No dog may otherwise be transferred to another class. Should the records of the owner or handler be in error, any scores, wins or prize gained in the higher class shall be forfeited if The Bermuda Kennel Club does not subsequently notify the owner officially that the required obedience title for entry into such class has been won.

**Subsection 11.** Except as provided in this Subsection, the ownership of a registered dog entered in a trial must be as recorded in the registration files of The Bermuda Kennel Club.

A registered dog which has been acquired by some person other than the owner as recorded with The Bermuda Kennel Club may be entered in the name of its new owner at any trial, but application for transfer of ownership must be sent to The Bermuda Kennel Club within thirty days after the last day of the trial or the scores and wins of said dog will be cancelled. Any unavoidable delay in meeting the requirements of this rule must be acceptable to The Bermuda Kennel Club if any scores or wins made by the dog at that trial are to remain recorded.

**Subsection 12.** If the name of a dog which has been "listed" with The Bermuda Kennel Club and which has earned a qualifying score at any trial shall be subsequently changed, the former name as well as the new name shall be given on the entry form for any subsequent trials until such time as the dog shall have earned a qualifying score in one of the official classes of The Bermuda Kennel Club under its new name, whereupon its former name may be dropped.

**Subsection 13.** No Bermudian bred entry may be made under a kennel name unless the kennel name has been registered with The Bermuda Kennel Club.

**Subsection 14.** No dog may be entered at a trial held under these Regulations if it:

- [a] has distemper or other communicable disease;
- [b] has had distemper or other communicable disease unless it has been fully recovered for thirty days;
- [c] is known to have been in contact with distemper or other communicable disease within thirty days of the trial; or
- [d] has been kenneled on premises on which there existed distemper or other communicable disease within thirty days of the trial.

Any infraction of any part of this Subsection shall subject any exhibitor or agent to disciplinary action by the Board of Governors. Any complaint alleging an infraction of this rule may be made direct to the Board of Governors providing it is made within fourteen days after the trial at which the infraction is alleged to have occurred.

**Subsection 15.** Dogs owned by a judge or an immediate family member may not compete in a trial where that judge is the sole officiating judge. This rule does not prohibit such a dog from competing in a series of trials if there are other judges officiating provided the following conditions apply:

1. the judging schedule is not unduly delayed to accommodate such a dog
2. the dog will only be permitted to compete in the trials that have been assigned to other judges.

Every effort will be made to ensure that such a dog is scheduled to compete only in the trials where other judges are officiating. However, if the trial committee is unable to arrange the schedule to accommodate such an entry, the dog will have to be withdrawn from competition. In the case of a family member judging a tied score, the exhibiting family member must withdraw because of conflict and a notation will be made to this effect in the judge's book.

If an obedience trial is held in conjunction with a tracking test and/or agility trial, an obedience judge or any of his family may enter a dog in the tracking test and/or agility trial provided his obedience judging assignment is not affected or interrupted in any way.

**Subsection 16.** Where any of these Obedience Trial Regulations exclude from a particular class dogs which have won a particular obedience title, eligibility to enter that class shall be determined as follows: A dog may continue to be exhibited in such a class after his handler has been notified by the required number of different judges that the dog has earned three qualifying scores for such title, but may not be entered or exhibited in such a class at any obedience trial where the closing date of entries occurs after the owner as been officially notified by The Bermuda Kennel Club that the dog has met the requirements regarding qualifying scores for that particular title as laid down in Section 5, Subsection 1 of this Chapter.

Where any of these Obedience Trial Regulations require that a dog shall have won a particular obedience title before being entered in a particular obedience class, eligibility to enter that class shall be determined as follows: A dog may be entered in such class at any obedience trial where the closing date of entries occurs after his handler has been notified by the required number of different judges that the dog has earned three qualifying scores for the particular title, even though the owner has not yet received official notification to this effect from The Bermuda Kennel Club. However, the owner shall forfeit any scores, awards or prizes gained in such class if The Bermuda Kennel Club does not subsequently notify the owner officially that the required title has been won.

No dog may be entered in both Novice and Open Class, or in both Open A and Utility Class, at the same obedience trial.

**Subsection 17.** A dog may be entered for "Exhibition Only" and must be so specified on the entry form. The trial-giving club shall arrange for any entry fee it may see fit, not necessarily the same fee as for the dogs in competition. The same particulars must be given as if entered in one of the official classes, and if not registered with The Bermuda Kennel Club, a listing fee determined annually by the Board of Governors must be paid. No dog entered for "Exhibition Only" and received at a trial can compete in any official class. At the option of the trial-giving club, and provided it is so stated in the premium list, it may be entered and compete in any unofficial class provided in the classification of the trial. Recording fees will be payable for "Exhibition Only" entries.

**Subsection 18.** Dogs not regularly entered in a trial may be permitted on the trial grounds at the discretion of the Trial Superintendent provided that they remain at a distance of at least 25 feet from any competition ring(s).

**Subsection 19.** The authorities of any trial may decline to accept entries and may refuse to receive or may remove any dog from the trial grounds on account of disease or viciousness. A club declining an entry or ordering the removal of a dog from its trial grounds must report all such matters to The Bermuda Kennel Club within two weeks after the trial. The reason for such action must in each case be stated when reporting to The Bermuda Kennel Club. No one shall have any

claim or recourse against the organization holding a trial or any official connected therewith for the refusal of an entry.

**Subsection 20.** The trial-giving club shall notify the person making the entries that the entries have been received. The notification shall also state whether or not the entries have been accepted, and in the case of non-acceptance, the fee shall be returned and the reason for non-acceptance shall be stated.

The club must also send out in advance to every exhibitor the judging programme indicating the approximate time the classes will be judged.

## **SECTION 2. DISQUALIFICATIONS**

**Subsection 1.** A dog that has been debarked or that is blind may not compete in any obedience trial. Blind means not having useful vision in either eye.

**Subsection 2.** No dog shall be eligible to compete if it appears to have been dyed or coloured in any way, or if the coat shows evidence of chalk or powder, or if the dog has anything attached to it whether for medical or corrective purposes, for protection, for adornment or for any other reason. Any dog, whose hair over its eyes interferes with its vision, may have the hair over its eyes tied back with either a neutral coloured rubber band or a small plain barette. Breeds that normally have their hair tied back in the breed ring may compete in an obedience trial with their hair tied back in the same manner. The judge, at his sole discretion, may agree to judge such a dog at a later time if the offending condition has been corrected.

**Subsection 3.** A dog that is lame may not compete at any trial. It shall be the judge's responsibility to determine whether a dog is lame. He shall not obtain the opinion of the trial veterinarian. If in the judge's opinion a dog in the ring is lame, he shall not score such dog, and shall promptly excuse it from the ring and mark book "Excused - lame".

**Subsection 4.** A dog that in the opinion of the judge menaces or threatens or exhibits any sign that it may not be safely approached by the judge or examined by the judge in the manner laid down for the STAND FOR EXAMINATION and/or GROUP EXAMINATION exercises shall be excused from the ring. When the judge excuses the dog, he shall mark the dog "Excused", stating the reason in the judge's book.

**Subsection 5.** The judge will disqualify any dog that attempts to attack any person in the ring. The judge will excuse a dog that attacks another dog in the ring or that appears dangerous to other dogs in the ring. The owner of any dog which has been excused on two occasions for attacking or attempting to attack another dog in the ring will be notified that the dog is no longer eligible to be shown in obedience classes.

When a judge disqualifies or excuses a dog, the disqualification or excusal and the reason thereof must be recorded in the judge's book. The owner or handler of the dog must be advised of the reason before he leaves the ring.

The owner of the dog that has been disqualified may apply for reinstatement as follows:

- a) the owner of the dog, which has been disqualified at a trial held under these rules, may, after 30 days from the date of disqualification, apply in writing to The Bermuda Kennel Club for reinstatement of the dog. A fee, as set by the Board, must accompany the request for reinstatement.
- b) After examination, the Examining Committee shall submit its report to The Bermuda Kennel Club who, in turn, will advise the owner of the results.
- c) Reinstatement of a dog following an examination as set forth in this section in no way affects the right of a judge to again disqualify the dog for the same or other reasons.

Any dog disqualified for biting or viciousness shall automatically be disqualified from entering in any other event until such time as the dog is officially reinstated.

**Subsection 6.** Disturbances. Bitches in season are not permitted to compete. The judge of an obedience trial must remove from competition any bitch in season, or any bitch that appears so attractive to males as to be a disturbing element. In case of doubt, an official veterinarian shall be called to give his opinion. The judge must also remove from competition any dog, which its handler cannot control, any handler who interferes willfully with another competitor or his dog, and any handler who abuses his dog in the ring. The judge may also excuse from competition any dog, which he considers, unfit to compete, or any dog if its performance is consistently below competition standard. If the judge excuses a dog or handler, the reason shall be stated in the judge's book or in a separate report and the Trial Superintendent shall endorse the notation.

**Subsection 7.** Spayed bitches, castrated dogs, monorchid or cryptorchid males and dogs that have faults which would disqualify them under the standards for their breeds, may compete in obedience trials if otherwise eligible under these Regulations.

**Subsection 8.** The administration, in any form, of a drug or substance whose action alters the nervous system of a dog competing at an obedience trial by stimulation, sedation or tranquilization, will be considered serious misconduct in the opinion of the Board of Governors. The person or persons responsible will be subject to disciplinary action in accordance with the rules of The Bermuda Kennel Club and the dog shall be debarred from the trial.

**Subsection 9.** When requested by the judge to determine the physical condition of a dog, or when giving an opinion on a protest to the obedience trial committee, the veterinarian shall immediately record his decision in writing on a form provided by The Bermuda Kennel Club giving the basis for his decision or opinion. Except in the case of a bitch in season, a dog once disqualified by a veterinarian's report shall not be eligible for entry at any subsequent trials until reinstated through an appeal to The Bermuda Kennel Club.

**Subsection 10.** The Board of Governors shall have the power to take disciplinary action against any person violating the provisions of this Section.

### **SECTION 3. THE DOGS AND THEIR EXHIBITORS/HANDLERS**

**Subsection 1.** Except as provided below, only the Trial Superintendent may excuse either dogs or their handlers from the trial. All permits issued by veterinarians excusing dogs from the trial

must be approved by the Trial Superintendent before being valid, save that it shall be obligatory for him to endorse a permit issued by the attending veterinarian for a dog excused because of illness.

When a dog is excused by the judge the notation in the judge's book or the Trial Superintendent shall endorse his separate report.

A dog may be removed from the trial after it has been judged provided it is not eligible for further judging as provided in the Regulations.

No dog excused by the Trial Superintendent for any reason, after being excused, shall compete in any class or for any award for the balance of the trial.

When a dog has been excused either by the Trial Superintendent or the Trial Veterinarian, the former shall make a notation in the judge's book stating the reason for the excuse. The judge shall thereafter refuse to accept that dog for further competition.

Dogs entered in an obedience trial held in conjunction with a dog show are subject to all the rules regarding "dogs" as stated in The Bermuda Kennel Club Dog Show Rules.

All persons must exercise care and control of any dog in their possession while attending an event.

**Subsection 2.** If the catalogue and/or the judge's book of any trial shall be in error or by mistake set forth any information contrary to the information which appears on the entry form of the dog for that trial, the Superintendent or Secretary of the trial, upon request of the owner or handler of the dog prior to the judging, shall correct the entry in the judge's book and in the marked catalogue to be sent to The Bermuda Kennel Club, and this dog properly may compete in all classes and for all prizes for which the entry form discloses it was properly entered.

**Subsection 3.** Any club, which gives an obedience trial, must send out in advance to every exhibitor a programme showing the time scheduled for the judging of the various classes. This judging programme shall be adhered to as nearly as possible. No class shall be judged prior to the time stated on the judging programme.

**Subsection 4.** No person handling a dog in the ring may smoke while doing so.

**Subsection 5.** Should it come to the attention of the Trial Superintendent that any of the foregoing rules have been infringed upon, it shall be his duty to take immediate action to correct the situation by suitably instructing the person in question. It is not necessary for the Trial Superintendent to receive any form of formal protest before enforcing these rules.

**Subsection 6.** Any person, either within or outside the judging ring, who does anything calculated to attract or distract or otherwise interfere in any way with the attention or deportment of a dog under judgment may be disciplined by the Board of Governors in whatever way it considers in the best interests of the club, or the judge may take summary action.

**Subsection 7.** A judge officiating at a trial held under these Regulations shall not be subjected to indignities of any kind during the progress of the trial. It shall be the duty and obligation of the trial-giving club to see that this rule is effectively carried out.

#### **SECTION 4. CLASSES AND EXERCISES**

**Subsection 1.** The official obedience classes of The Bermuda Kennel Club shall be as follows: NOVICE, OPEN, and UTILITY, Subsection 3, 5 and 7 below provide for the division of these classes into Novice A and Novice B classes, Open A and Open B classes, Utility A and Utility B classes, if the trial-giving club so chooses. The titles awarded in the various classes are set out in Section 5, Subsection 2 of this Chapter.

**Subsection 2.** Wherever used in this Section, the word “trainer” means any person who conducts a dog obedience training class or regularly assists with the training of dogs in such a class, or who regularly trains dogs belonging to persons outside his immediate family.

**Subsection 3. Novice Class.** The Novice class shall be for dogs that have not won the title of Companion Dog [CD] in Bermuda. The owner or any other person may handle dogs in this class. Exhibitors may enter more than one dog in this class, but each dog must have a separate handler for the group exercise when judged in the same group.

A trial-giving club may choose to divide the Novice class into Novice A, B and Novice C classes, provided such divisions is approved by The Bermuda Kennel Club and is announced in the premium list. When this is done, the following conditions shall apply:

[a] **Novice A Class.** The Novice A class shall be for dogs that have not won the title Companion Dog [CD] in Bermuda or any other country. Any one exhibitor may enter only one dog in this class. Each dog in the class must be handled by its owner or member of his immediate family and the same person must handle the dog in all exercises. No dog owned, or co-owned, by a trainer or a member of his immediate family may be entered in this class. No person who has trained or exhibited a dog that has earned a C.D.X. title in Bermuda or any other country, shall be allowed to compete in this class.

[b] **Novice B Class.** The Novice B class shall be for all dogs that are eligible for the Novice class but are not eligible for the Novice A class. The conditions laid down in the first paragraph of this Subsection shall apply to the Novice B class. No dog may be entered in both Novice A and Novice B classes at any one trial.

#### [c] **Novice C Class**

The Novice C class shall be for any dog that has earned the title C.D., CDX, UD or any obedience Trials Championship Title prior to the closing date of the trial in which it is to be entered.

Dogs in this class may be handled by the owner or any other person.

A Person may enter more than one dog in this class

The same handler must handle each dog in all six exercises unless he has 2 or more dogs entered. In such cases, he must have additional handler for each dog when they are judges together in the group exercises.



Dogs may compete in the Novice C class indefinitely.

Scores earned by dogs entered in the Novice C Class are not eligible for High In Trial and do not qualify a dog for a title.

Dogs may be entered in the Novice C class in addition to any other Official or unofficial classes for which they are eligible.

**Subsection 4. Novice Exercises and Scores.** The exercises and maximum scores in the Novice classes are:

1. Heel on Leash and Figure Eight	40 points
2. Stand for Examination	30 Points
3. Heel Free	40 Points
4. Recall	30 Points
5. Sit Stay – Get Your Leash	30 Points
6. Group Exercise – Sit & Down Stay	30 points
Maximum Total Score	200 Points

The maximum judging rate is nine (9) dogs per hour.

**Subsection 5. Open Class.** The Open class shall be for dogs that have won the title Companion Dog [CD] in Bermuda. Dogs in this class may be handled by the owner or any other person. Exhibitors may enter more than one dog in this class. A dog may continue to compete in this class after it has won the title Companion Dog Excellent [CDX] and Utility Dog [UD] in Bermuda.

A trial-giving club may choose to divide the Open class into Open A and Open B classes, provided such division is approved by The Bermuda Kennel Club and is announced in the premium lists. When this is done, the following conditions shall apply:

[a] **Open A Class.** The Open A class shall be for dogs that have won the title Companion Dog [CD] in Bermuda but have not won the title Companion Dog Excellent [CDX] in Bermuda or any other country. Only one dog may be entered in this class by any one exhibitor. Each dog may be entered in this class must be handled by its owner or a member of his immediate family and the same person must handle the dog in all exercises. No licensed handler, trainer or person who has previously handled a dog through it Utility Dog [UD] title in Bermuda or any other country, shall be allowed to compete in this class.

[b] **Open B Class.** The Open B class shall be for all dogs that are eligible for the Open classes but are not eligible for the Open A class. The conditions laid down in the first paragraph of this Subsection shall apply to the Open B class. No dog may be entered in both Open A and Open B classes at any one trial.

Prior to the start of judging, the judge will decide the order of the exercises to be performed. This order will not be disclosed to the exhibitors until it is posted at the ringside, approximately 10 minutes before the start of the class. In future assignment judges are required to alternate the six orders of exercises so that each set will be used approximately the same number of times.

**Subsection 6. Open A & B Exercises and Scores.** The exercises and maximum scores in the Open classes are:

Heel Free and Figure Eight	40 Points
2. Command Discrimination (Stand, Down, Sit)	30 Points
3. Drop on Recall	30 Points
4. Retrieve on Flat	20 Points
5. Retrieve over High Jump	30 Points
6. Broad Jump	20 Points
7. Stand Stay – Get Your Leash	30 Points
Maximum Total Score	200 Points

The maximum judging rate is eight (8) dogs per hour.

Prior to the start of judging, the judge will decide where the leash will be placed and post this information at the ring approximately 10 minutes or earlier before the start of the class.

**Open B Exercises and Scores.** The various orders of exercises in the Open B class:

**OPEN I**

1. Heel Free & Figure Eight
2. Command Discrimination (Stand, Down, Sit)
3. Drop on Recall
4. Retrieve on Flat
5. Retrieve over High Jump
6. Broad Jump
7. Stand Stay – Get your Leash

**OPEN II**

1. Broad Jump
2. Retrieve over High Jump
3. Retrieve on Flat
4. Drop on Recall
5. Command Discrimination (Down, Sit, Stand)
6. Figure Eight & Heel Free
7. Stand Stay – Get Your Leash

**OPEN III**

1. Retrieve on Flat
2. Drop on Recall
3. Retrieve Ove High Jump
4. Broad Jump
5. Figure Eight & Heel Free
6. Command Discrimination (Stand Sit Down)
7. Stand Stay – Get Your Leash

#### **OPEN IV**

1. Drop on Recall
2. Heel Free & Figure Eight
3. Retrieve over High Jump
4. Command Discrimination (Down, Stand, Sit)
5. Broad Jump
6. Retrieve on Flat
7. Stand Stay – Get Your Leash

#### **OPEN V**

1. Retrieve over High Jump
2. Drop on Recall
3. Command discrimination (Stand, Sit Down)
4. Figure Eight & Heel Free
5. Retrieve on Flat
6. Broad Jump
7. Stand Stay – Get Your Leash

#### **OPEN VI**

1. Command Discrimination (Down, Stand, Sit)
2. Broad Jump
3. Figure Eight & Heel Free
4. Drop on Recall
5. Retrieve over High Jump
6. Retrieve on Flat
7. Stand Stay – Get Your Leash

**Subsection 7. Utility Class.** The Utility class shall be for dogs that have won the title Companion Dog Excellent [CDX] in Bermuda. Dogs in this class may be handled by the owner or any other person. Exhibitors may enter more that one dog in this class. A dog may continue to compete in this class after it has won the title Utility Dog [UD] in Bermuda.

A trial-giving club may choose to divide the Utility class into Utility A and Utility B classes, provided such division is approved by The Bermuda Kennel Club and is announced in the premium list. When this is done, the following conditions shall apply:

[a] **Utility A Class.** The Utility A class shall be for dogs that have won the title Companion Dog Excellent [CDX] in Bermuda but have not won the title Utility Dog [UD] in Bermuda or in any other country. Each dog in the class must be handled by its owner or a member of his immediately family and the same person must handle the dog in all exercises. No licensed handler, trainer or person who has previously handled a dog through its UD title in Bermuda or any other country, shall be allowed to compete in this class.

[b] **Utility B Class.** The Utility B class shall be for all dogs that are eligible for the Utility class but are not eligible for the Utility A class. The conditions laid down in the first paragraph of this Subsection shall apply to the Utility B class. No dog may be entered in both Utility A and Utility B classes at any one trial.

**Subsection 8. Utility Exercises, Order and Scores for Utility A & B.** The exercises and maximum scores in the Utility classes are:

1. Seek Back	30 points
2. Scent Discrimination – Article No.1	30 points
3. Scent Discrimination - Article No. 2	30 points
4. Signal Exercise	40 points
5. Moving Stand	30 points
6. Directed Jumping	40 points
Maximum Total Score	200 points

**Utility Exercises, Order, and Scores for Utility B.** The exercises and maximum scores in the Utility B Classes are:

**UTILITY I**

1. Seek Back	30 points
2. Scent Discrimination Article No. 1	30 points
3. Scent Discrimination Article No. 2	30 points
4. Signal Exercise	40 points
5. Moving Stand and Examination	30 points
6. Directed Jumping	40 points

**UTILITY II**

1. Directed Jumping	40 points
2. Moving Stand and Examination	30 points
3. Seek Back	40 points
4. Scent Discrimination Article No. 1	30 points
5. Scent Discrimination Article No. 2	30 points
6. Signal Exercise	40 points

**UTILITY III**

1. Scent Discrimination Article No. 1	30 points
2. Scent Discrimination Article No. 2	30 points



**Veteran Classes.** Shall be for eligible dogs that are at least 7 years old prior to the closing of entries.

Dogs that are entered in any of the Veteran classes may not be entered in any of the Regular classes in the same trial.

**Veteran's Novice Class.** This class is for dogs that may or may not already have obtained an obedience title CD, CDX or UD in the regular classes and are at least 7 years old prior to the closing of entries. The exercises shall be performed and judged as in the Novice Class.

**Veteran's Open Class.** This class is for dogs that have a CD, CDX or UD title either in the regular classes or the veteran classes. The exercises shall be performed and judged as in the Open Class except that the jump height shall be set at one-half of the dog's height at the withers and the length of the broad jump shall be the same as the height of the dog at the withers.

Dogs do not have to obtain a title in the Veteran Novice class before they can be entered in Veteran Open provided that they have previously obtained a CD title in the regular Novice class.

**Veteran's Utility Class.** This class is for dogs that have obtained a CDX or UD title in either the regular classes or the veteran classes. The exercises shall be performed and judged as in the Utility class, except that the height of the jumps shall be one-half the dog's height at the withers.

Dogs do not have to obtain a title in the Veteran Open class before they can be entered in Veteran Utility provided that they have previously obtained a CDX title in the regular Open class.

**Junior Classes.** Shall be for junior handlers who have not gained any obedience titles in official classes in Bermuda. The Junior handler must be at least 7 years old and under 17 years old on the day of the trial.

At the discretion of the trial-giving club Junior Classes may be divided into two age groups:

- 1) handlers that are at least 7 years old and under 12 years old – on the day of the trial
- 2) handlers that are at least 12 years old and under 17 years old – on the day of the trial

If Junior Classes are to be divided this must be mentioned in the premium list.

### **Junior Novice Class**

The exercises and maximum score in the Junior Novice Class are:

- |   |           |
|---|-----------|
| 1. Heel on Leash (same as Novice but no figure 8) | 50 points |
| 2. Stand for Examination (on leash)               | 50 points |
| 3. Recall to front (no finish)                    | 50 points |
| 4. Long Down (on leash for one minute)            | 50 points |

Maximum Total Score 200 points

The leash must be six feet long for the Stand for Examination and Long Down exercises. The leash must be held by the handler so that it does not touch the ground.

**Junior Open Class**

The exercises and maximum score in the Junior Open Class are:

- |   |           |
|---|-----------|
| 1. Heel on Leash (including Figure 8)   | 50 points |
| 2. Stand For Examination (off leash)    | 30 points |
| 3. Recall (including finish)            | 40 points |
| 4. Long Sit (off leash for one minute)  | 40 points |
| 5. Long Down (off leash for one minute) | 40 points |

Maximum Total Score 200 points

The exercises in the Junior Novice and Junior Open Classes shall be performed as in the Official Novice class except where noted.

**Junior Obedience Titles**

To compete for the Junior Novice Obedience Title a junior must gain three passing scores in Junior Novice.

To compete for the Junior Open Obedience Title a junior must gain three passing scores in Junior Open Classes.

During a series of trials, if a junior handler and dog meet the requirements for a Junior Novice Title he or she will be permitted, though not required to move up to the Junior Open Class for the remaining trials in that series.

**Brace Class**

The Brace Class is open to any two dogs of any breed and of either sex that have attained not less than a C.D. title in Bermuda. It is not necessary that the same person owns both dogs, nor that they be of the same breed, except when entered in a breed specialty obedience trial.

The Brace Class is performed and judged in the same manner as the Novice Class. The two dogs shall be hitched together with a brace chain or coupling and are judged on the performance of the two dogs as though they were one. Exhibitors may enter more than one brace in this class, but must have a separate handler for each brace in the Long Sit and Long Down Exercises when judged in the same group.

### **Prenovice Class**

This Class shall be for dogs that have never competed in official novice classes.

The exercises and maximum score in the Prenovice Class are:

- |  |           |
|--|-----------|
| 1. Heel on Leash (including Figure 8)                    | 50 points |
| 2. Stand For Examination (on leash)                      | 30 points |
| 3. Recall maximum distance of 25 feet (including finish) | 40 points |
| 4. Long Sit (on leash for one minute)                    | 40 points |
| 5. Long Down (on leash for one minute)                   | 40 points |

## **SECTION 5. TITLES AND CERTIFICATES**

**Subsection 1.** To be awarded a Bermuda obedience title a dog must have received three qualifying scores in the class entered and it must be registered individually in the records of The Bermuda Kennel Club or have been granted an Indefinite Listing Privilege or a Mixed Breed Registry Number by The Bermuda Kennel Club. Only when all these requirements have been met will an obedience certificate conferring such title be issued to the owner of the dog at the time of completion of the title.

**Subsection 2.** The obedience titles awarded in the various classes, and the letters which may be used after the name of the dog signifying such titles, are:

NOVICE CLASSES – COMPANION DOG [CD]

OPEN CLASSES – COMPANION DOG EXCELLENT [CDX]

UTILITY CLASSES – UTILITY DOG [UD]

**Subsection 3. OBEDIENCE TRIAL CHAMPIONSHIP.** Any dog that has competed the requirements for an Obedience Trial Champion in Bermuda shall be recognized as an “Obedience Trial Champion” and shall be entitled to bear the prefix “OTCH” before its name. The Bermuda Kennel Club will issue an Obedience Trial Championship certificate for each dog that meets these requirements.

**Dogs that may compete.** A dog must have completed the requirements for the title of Utility Dog before it can compete for the title of Obedience Trial Champion.

Any dog that has been awarded the title of Obedience Trial Champion may continue to compete in the Open and Utility classes.

**Requirements for the Obedience Trial Champion are as follows:**

1. The dog shall have won a First Place in Utility and earned this win with a score of 190 or above.
2. The dog shall have won a First Place in Open and earned this win with a score of 190 or above.
3. The dog shall have won a third First Place under the conditions of 1 or 2 above.



- The dog shall have won these three First Places under at least two different judges, at an all breed obedience trial, whether held separately of in conjunction with an all breed dog show.

**Subsection 4. MASTER OBEDIENCE TRIAL CHAMPIONSHIP.** The dog that has completed the requirements for a Master Obedience Trial Champion in Bermuda shall be recognized as “Master Obedience Trial Champion” and shall be entitled to bear the prefix “MOTCH” before its name. The Bermuda Kennel Club will issue a Master Obedience Trial Champion certificate for each dog that achieves this title.

Points for this title may only be accumulated after the completion of an OTCH.

Requirements for the Master Obedience Trial Champion are as follows:

- A minimum score of 190 in Open or 185 in Utility is needed to obtain points and does not require a minimum of dogs to be entered.
- One High in Class placement is required in either Open or Utility Class but no minimum score is required.
- A total of 20 points is required to earn a Masters title with a minimum of 8 points to be acquired in Open, 8 points in Utility and the remaining 4 points can be obtained from either class.
- 

**SCALE OF POINTS**

Open		Utility	
190 to 191.5	1 point	185 to 187.5	1 point
192 to 193.5	2 points	188 to 190.5	2 points
194 to 195.5	3 points	191 to 193.5	3 points
196 to 197.5	4 points	194 to 195.5	4 points
198 to 199.5	5 points	196 to 198.5	5 points
200	6 points	199 to 200	6 points

**Subsection 5. GRAND MASTER OBEDIENCE TRIAL CHAMPIONSHIP.** Any dog that has completed the requirements for a Grand Master Obedience Trial Champion in Bermuda shall be recognized as “Grand Master Obedience Trial Champion” and shall be entitled to bear the prefix of “GMOTCH” before its name. The Bermuda Kennel Club will issue a Grand Master Obedience Trial Champion certificate for each dog that achieves this title.

Points for this title may only be accumulated after the completion of the MOTCH.

Requirements for the Grand Master Obedience Trial Champion are as follows:

- A minimum score of 195 points in both Open and Utility classes at the same trial at five separate trials.
- The scores in Open and Utility must be earned under a minimum of five different judges. Scores may be counted at one time under the same judge or under two different judges.
- A High In Trial must be achieved in at least one Open class and One Utility class.

**Note: Explanation of Titles**

CD=Companion Dog

CDX=Companion Dog Excellent

UD=Utility Dog

UDX=Utility Dog Excellent

OTCH=Obedience Trial Champion

MOTCH=Master Obedience Trial Champion

GMOTCH=Grand Master Obedience Trial Champion

**SECTION 6. CANCELLATIONS**

**Subsection 1.** If an ineligible dog has been entered in any trial, or if a dog competes in a class for which it has not been entered, or if its entry form is deemed invalid or unacceptable by The Bermuda Kennel Club under these Regulations, all resulting scores and awards shall be cancelled.

Where a dog has been entered in an official class for which it is ineligible, any scores or awards received in that class by that dog shall be cancelled, and where the dog did not receive a score or award in any official class for which it is eligible for entry, then all other scores and awards received by the dog at the trial shall be cancelled.

If a dog is shown in the name of a person who is not recorded as the owner of the dog, all scores and awards received by the dog when shown in the name of a person in whose name the dog is not recorded in the records of The Bermuda Kennel Club shall be cancelled unless application for the transfer of ownership is made within 30 days after the last day of the trial. Any unavoidable delay in meeting the requirements of this rule must be acceptable to The Bermuda Kennel Club if any scores or awards received by the dog at that trial are to remain recorded.

Where any violation of any Obedience Trial Regulation has taken place in the opinion of the Board of Governors, the Board shall have the power to declare the cancellation of all scores and awards earned by the dog at the trial in connection with which such violation occurred.

Where any protest is sustained by a trial-giving club and/or the Board of Governors as provided in Section 7 of this Chapter, the Board of Governors shall have the power to order the cancellation of any scores or awards earned at the trial by the dog or dogs concerned with such protest. The cancellation of all scores and awards shall automatically include cancellation of all prizes received in connection with such awards.

**Subsection 2.** If the win of a dog shall be cancelled, the dog next in order or merit shall be moved up, providing the next in order of merit is obvious from awards made by the judge. The win of the dog moved up shall be counted the same as if it had been the original award and, on being advised by The Bermuda Kennel Club, the Trial Secretary will issue the appropriate ribbons and other prizes to the owner of such dog.

**Subsection 3.** If the score or a award of a dog shall be cancelled by The Bermuda Kennel Club, the exhibitor or entrant of the dog shall return all prizes and ribbons which have been received for such score of award to the Secretary of the trial-giving club within one month of the date of notice

of cancellation from The Bermuda Kennel Club. Failure to comply with the Board's order to return ribbons and/or prizes to the club[s] concerned automatically renders the owner of the dog ineligible to enter any dog in any event held under The Bermuda Kennel Club Rules for such period as the Board of Governors may determine.

**Subsection 4.** An owner connected with the perpetration of a fraudulent act shall be deprived of all the privileges of The Bermuda Kennel Club. The Board of Governors is, however, empowered to use discretion in the enforcement of this penalty to protect innocent parties.

## **SECTION 7. PROTESTS**

**Subsection 1.** An exhibitor, competitor, or any member of The Bermuda Kennel Club or of the club holding the trial may make a protest against a dog. It shall be in writing and where the protest calls for a decision as to the physical condition of a dog, which can be determined only by the veterinarian or at the time of showing, it must be made before the closing of the trial. Any protest made during the course of the trials must be lodged immediately with the Trial Superintendent. A protest made after the closing of the trial must be lodged with the Trial Secretary within ten days of the last day of the trial [s]. All protests must be forwarded to the Secretary of The Bermuda Kennel Club within ten days of receipt by the trial-giving club.

No protest will be entertained unless accompanied by a deposit as determined annually by the Board of Governors, which will be returned if the protest is sustained. This does not apply to protests by The Bermuda Kennel Club, or to a protest made in the ring previous to the rendering of the judge's decision.

If no appeal is submitted to The Bermuda Kennel Club within ten days after notification, the Board of Governors may take such action as it deems fit in connection with such protest. Such action may include a reprimand, imposition or a fine and/or cancellation of awards.

**Subsection 2.** An appeal to The Bermuda Kennel Club against a decision of a trial committee where a dog has been protested may be taken and shall be forwarded to The Bermuda Kennel Club within ten days of the date on which the decision was rendered, together with a deposit as determined annually by the Board of Governors. If the decision is sustained, the deposit shall be forfeited, but if reversed, the deposit shall be returned.

**Subsection 3.** If a protest is made during the holding of a trial, the trial committee shall hold a meeting within fourteen days and give all parties concerned an opportunity to be heard and shall render its decision at once. If a protest is made subsequent to the trial, it shall be decided at the trial-giving club within thirty days of its receipt. Due notice of the date and place of hearing shall be given to all parties concerned. Written copies of all decision on protests shall be forwarded immediately to The Bermuda Kennel Club.

Where the trial committee consists of more than five persons, the President of the trial-giving club shall name five members of the trial committee to act on any protest received by the trial-giving club.

**Subsection 4.** If the trial-giving club fails to hear a protest as described above or, in the opinion of the Board of Governors, handles a protest improperly, the Board of Governors shall have the power to take such action, as it deems fit and necessary. It may at the same time take disciplinary action against the officials of the trial-giving club.

**Subsection 5.** In the event of a protest being filed in accordance with this Section, the Trial Superintendent shall, immediately upon receipt of such protest, and provided the judging of the dog or dogs concerned is not completed, request the judge to select reserve members so that any prize which would be affected by any disqualifications of the protested dog can be awarded.

### **Chapter III REGULATIONS FOR PERFORMANCE AND JUDGING**

#### **SECTION 1 – REGULATIONS FOR PERFORMANCE**

**Subsection 1. Obligation to Compete.** Any dog entered and received at an obedience trial must compete in all exercises in the class in which it is being judged, unless excused from further competition as provided in Chapter II, Section 2 and 3 of these Regulations.

**Subsection 2. Handling between Exercises.** Praise is allowed between exercises, and between separate parts of individual exercises after the judge has said, "Exercise finished", but points must be deducted from the total score for a dog that is not under reasonable control while being praised. A handler must not carry or offer food in the ring.

In the Novice class the dog may be guided gently by the collar between exercises and to get in into proper position for the next exercise. In the Open and Utility classes the dog shall not be put on leash or guided or controlled by the collar at any time, and the leash shall be left on the judge's table during all exercises except the Long Sit and Long Down.

Enthusiastic praise by the handler and exuberance on the part of the dog between exercises should not be penalized, provided the handler does not delay the judging and remains in control of the dog.

Imperfections in heeling between exercises will not be judged, but any discipline by the handler in the ring will be severely penalized by deducting points from the total score, and the judge may bar the dog from further competition at the trial. There shall be a substantial penalty for any dog that is picked up or carried at any time in the obedience ring.

**Subsection 3.** All dogs must be kept on leash except when in the obedience ring or exercise area and must be brought into and taken out of the ring on leash. Dogs must be kept on leash in the ring when brought in to receive awards, and when waiting in the ring before and after the group exercises. The leash will be left on the judge's table or other designated place except during the Heel on Leash and group exercises. The leash must be of fabric or leather and need only be long enough to provide adequate slack during the Heel on Leash exercise.

**Subsection 4. Collars.** All dogs in the obedience ring must wear a properly fitted collar approved by the judge. Plain martingale collars are accepted. Special training collars such as electronic collars or prong collars will not be permitted. Nothing may be hanging from the dog's collar.

**Subsection 5. Misbehaviour.** Competition will commence upon entering the ring and will continue until the dog and handler have left the ring. Any display of fear or resentment by the dog while in the ring, any uncontrolled behaviour of the dog such as snapping, unjustified barking or running away from his handler, whether it occurs during or between exercises, or before or after judging, shall be penalized according to the seriousness of the misbehaviour. A dog that relieves itself at any time in the ring, or runs out of the ring during or between exercises, shall not receive a qualifying score.

**Subsection 6. Commands and Signals.** Wherever a command or signal is mentioned in these Regulations, a single command or signal only may be given by the handler, and any extra commands or signals must be penalized, except that whenever the Regulations specify command and /or signal, the handler may give either one or the other, or both command and signal simultaneously. Signals must be inaudible and the handler shall not touch the dog. When a signal is permitted and given, it must be a single gesture with one arm and hand only, and the arm must be promptly returned to its normal position. Signaling corrections to a dog is forbidden and must be penalized. Any unusual noise or motion may be considered additional signals except that a handler may bend as far as necessary to bring his hand on a level with the dog's eyes in giving a signal to a dog in the heel position. Whistling or the use of a whistle is prohibited. The dog's name may be used once immediately before any verbal command. The dog's name may not be used with any signal even though these Regulations specify command and signal, or command or signal, or command and/or signal. The dog's name when given immediately before a verbal command, shall not be considered as an additional command, but a dog that responds to its name without waiting for the verbal command shall be scored as having anticipated the command. The dog should never anticipate the handler's directions but must wait for the appropriate commands and/or signals. A dog which anticipates the handler's directions to execute any of the principal features of an exercise in any class shall be scored zero for that exercise. Moving forward at heel without any command or signal other than the natural movement of the handler's left leg, shall not be considered as anticipation. Commands, which, in the judge's opinion, are excessively loud, will be penalized.

If a handler gives an extra command or signal not permitted by these Regulations, either when no command or signal is permitted, or simultaneously with or following a permitted command or signal, or if he uses the dog's name with a signal, the dog shall be scored as though it failed completely to perform the particular part of the exercise.

**Subsection 7. Badges.** Badges, club pins, or coats with kennel names thereon, or ribbon prizes shall not be worn or displayed, nor shall other visible means of identification be used by an individual when exhibiting a dog in the ring.

**Subsection 8. Training and Warm up on the Grounds.** There will be no intensive or abusive training of the dogs on the grounds or premises at a licensed or member obedience trial or sanctioned match. No practice rings within 75 feet of the competition ring(s) are permitted.

Collars must be in accordance with Chapter III, Sec.1, Subsection 4. These requirements should not be interpreted as preventing a handler from moving normally about the grounds or premises, nor even from warming up his or her dog using exercises performed in the obedience ring, provided the dog is on a leash being held by the handler. It should be performed as far from the obedience, agility and/or conformation rings as is reasonably possible and must not be disruptive to any dog or person. Physical or verbal disciplining of a dog will not be permitted except to a reasonable extent in case of an attack on either a dog or a person.

All dogs will be kept on leash except when in the obedience ring or exercise area. The superintendent, or show or trial secretary, as well as the members of the show or obedience trial committee, shall be responsible for compliance with this section and shall investigate any reports of infractions.

Failure to comply with the regulations set forth in this Subsection could result in disciplinary action. (Chapter I., Section 11, Discipline)

**Subsection 9. Disciplining of dogs.** Physical disciplining of dogs shall not be permitted on the trial grounds, except to a reasonable extent in the case of an attack on a person or another dog. The Superintendent and the members of the Obedience Trial Committee shall be responsible for compliance with this Subsection, and shall investigate any report of infractions.

**Subsection 10. Competitor's Responsibility.** It is the responsibility of each competitor to be ready at ringside when required without waiting to be called. It is his responsibility to notify the ring stewards if there is likely to be a conflict in either conformation and/or obedience rings and obtain the judge's permission to be judged out of catalogue order.

**Subsection 11. Heel Position.** The Heel position as used in these Regulations, whether the dog is sitting, standing, lying down, or moving at heel, means that the dog shall be straight in line with the direction in which the handler is facing, at the handler's left side, and as close as practicable to the handler's left leg without crowding, permitting the handler freedom of motion at all times. The area from the dog's head to shoulder shall be in line with the handler's left hip. A dog that turns his head in order to look at his handler should not be penalized provided he does not swing wide, forge or crowd his handler.

**Subsection 12. Hands.** In all exercises in which the dog is required to "heel free" one of the options below shall be followed:[1] the handler's arms and hands shall move naturally at the handler's sides while in motion, and shall hang naturally at the handler's sides when not in motion; or [2] the right hand and arm must move naturally, while the left hand shall be held against and positioned either centered in front of the body or a little to the left of the center of the body, in the area of the waist, The left forearm shall be carried, as much as possible, against the body. In either of the above situations the hands and arms may be adjusted during the Fast portion of an exercise, in order to maintain balance.

There shall be a substantial deduction if the hands and arms are not carried in one of the positions stated above.

In all exercises in which the dog is required to /Come to or return to the handler and Sit in Front, the handler's arms and hands shall hang naturally at his sides while the dog is coming in and until the dog has sat in front. A substantial deduction shall be made if a handler's arms and hands are not hanging naturally at his sides while the dog is coming in and until the dog has sat in front.

In all exercises in which the dog is required to Stay, the handler's arms and hands shall move naturally at the handler's sides while he is moving away from or returning towards his dog, and shall hang naturally at the handler's sides while he is not in motion. A substantial deduction shall be made if a handler's arms are not hanging naturally at his sides during the Stay exercises.

## **SECTION 2 – REGULATIONS FOR JUDGING**

**Subsection 1. Standardized Judging.** Standardized judging is of paramount importance. Judges are not permitted to inject their own variations into the exercises, but must see that each handler and dog executes the various exercises exactly as described in these Regulations. A handler who is familiar with the Regulations should be able to enter the ring under any judge without having to inquire as to how the particular judge wishes to have any exercise performed. Judges must adhere to the Regulations in every respect and must not qualify dogs that do not meet the minimum requirements as described in Section 3 of this Chapter.

**Subsection 2. Disabled Handlers.** Judges may modify the specific requirements of these Regulations for handlers to the extent necessary to permit disabled handlers to compete, provided such handlers can move about the ring without physical assistance or guidance from another person.

A blind handler may be guided by another person, subject to the judge's instructions, between exercises and during the Group exercises.

Dogs handled by disabled handlers shall be required to perform all parts of all exercises described in these Regulations, and shall be penalized for failure to perform any part of an exercise.

**Subsection 3. Judge's Responsibility.** The responsibility for making the trials interesting to the spectators and worthwhile to the handlers is left to the judge, who must not permit the judging to drag so that the handlers and spectators become bored and the competing dogs tired.

**Subsection 4. Ineligibility to Compete.** The judge shall be aware of conditions which might make a dog ineligible for competition as listed in Chapter II, Section 2, of these Regulations, and shall present his decision accordingly; he shall enter the reason in the judge's book.

**Subsection 5. Training and Disciplining in the Ring.** The judge shall not permit any handler to train his dog or to practice any exercise in the ring either before or after he is judged, and shall deduct points from the total score of any dog whose handler does this. A handler who disciplines his dog in the ring during or between exercises must be severely penalized, and the penalty shall be deducted from the points available for the exercise and /or total score.

**Subsection 6. Judge's Directions.** The judge's orders and signals should be given to the handlers in a clear and understandable manner, but in such a way that the work of the dog is not disturbed. As each handler enters the ring, the judge shall ask if he has knowledge of the Regulations and shall see that the dog has on the type of collar allowed under these Regulations. Before starting each exercise, or separate part of an exercise, the judge shall ask "Are you ready?" and at the end of each exercise, or separate part of an exercise, the judge shall say "Exercise finished". Each competitor must be worked and judged separately except for the Long Sit and Long Down exercises, and in running off a tie

**Subsection 7. Judge's Book and Score Sheets.** The judge must enter the scores and sub-total score of each dog in the official judge's book immediately after each dog has been judged and before judging the next dog. Scores for the group exercises and total scores must be entered in the official judge's book immediately after each group of dogs has been judged. No score may be changed except to correct an arithmetical error or if a score has been entered in the wrong column. All final scores must be entered in the judge's book before prizes are awarded. No person other than the judge may make any entry in the judge's book. Judges may use separate score sheets for their own purposes, and may at the end of each class, at their discretion, provide the individually marked score sheets to each exhibitor.

**Subsection 8. Announcement of Scores.** The judge shall not disclose any score or partial score to competitors or spectators until he has completed the judging of the entire class or, in the case of a split class, until he has completed the judging of his division nor shall he permit anyone to do so. After all the scores for the class are recorded, the judge shall call for all available dogs that have won qualifying scores to be brought into the ring. Before awarding the prizes, the judge shall inform the spectators as to the maximum number of points for a perfect score, and shall then announce the score of each prize winner, and announce to the handler the score of each dog that has won a qualifying score.

The judge is not required to explain his scoring, and should not enter into any discussion with any competitor who appears to be dissatisfied. Any interested person who thinks that there may have been an arithmetical error or an error in identifying a dog may report the facts to one of the stewards or to the Superintendent, or to the Trial or Show Secretary, so that the matter may be checked.

**Subsection 9. Rejudging.** If a dog has failed in a particular part of an exercise, it shall not ordinarily be rejudged or given a second chance. But if, in the judge's opinion, the dog's performance was prejudiced by peculiar or unusual conditions, the judge may at his own discretion rejudge the dog on the entire exercise.

**Subsection 10. Tie.** In case of a tie for any prize in a class, the dogs shall be tested again by having them perform at the same time all or some part of one or more of the regular exercises in that class. In the Utility class, the dogs shall perform at the same time all or part of the Signal Exercise. The original scores shall not be changed.

**Subsection 11. Standard of Perfection.** The judge must remember that he is judging the dogs only on their ability to perform the tests set for them and not on their show points in conformation. The judge shall carry a mental picture of the theoretically perfect performance in each exercise



and shall score each dog and handler against this visualized standard which shall combine the utmost in willingness, enjoyment and precision on the part of the dog, and naturalness, gentleness and smoothness in handling. Each fault or deviation from this standard must be penalized. There shall be no penalty of less than ½ point or multiple of ½ point.

**Subsection 12. Qualifying Performance.** Competition will commence upon entering the ring and will continue until the dog and handler have left the ring. A qualifying score must never be awarded to a dog that shows fear or resentment, that relieves itself in the ring at any time, that runs out of the ring during or between exercises or to a dog whose handler disciplines or abuses it in the ring, or carries or offers food in the ring. If a handler gives an additional command or signal not permitted by these Regulations, or uses the dog's name when not permitted by these Regulations, the dog shall be scored as though it had failed completely to perform that particular part of the exercise.

The judge who is aware of any assistance, interference or attempts to control a dog from outside the ring, must act promptly to stop any such double handling or interference, and should penalize the dog or give it less than a qualifying score if, in his opinion, it received such aid.

**Subsection 13. No Added Requirements.** A judge shall not require any dog or handler to do anything or penalize a dog or handler for failing to do anything that is not required by these Regulations. The same methods and standards must be used for judging and scoring the A and B classes, and in judging and scoring the work of dogs of different breeds.

**Subsection 14. Rings and Equipment.** The Superintendent and the officials of the trial-giving club are responsible for providing rings and equipment which meet the requirements of these Regulations. However, the judge also must check the ring and equipment provided for his use before starting to judge, and must report to The Bermuda Kennel Club after the trial, any deficiencies that were not promptly corrected at his request.

**Subsection 15. Order of Judging.** Dogs should be judged in catalogue order to the extent that it is practical to do so without holding up the judging in any ring for a dog that is entered in more than one class at the show and/or trial. Judges are not required to wait for dogs and it is the responsibility of each competitor to be ready with his dog at ringside when required without waiting to be called. A judge may agree, on request in advance, to judge a dog earlier or later than the time scheduled by catalogue order if the same dog is entered in another class which may conflict.

### **SECTION 3. PERFORMANCE OF EXERCISES AND JUDGING STANDARDS.**

**HEEL ON LEASH. Subsection 1. Performance.** The handler shall enter the ring with the dog on a loose leash and shall stand with the dog sitting in the heel position at the starting point of the heeling pattern until the judge asks if the handler is ready, and then gives the order "Forward". The handler may give the command or signal to Heel and shall start walking briskly and in a natural

manner with the dog on a loose leash. The dog shall walk close to the left side of the handler without swinging wide, lagging, forging or crowding, permitting the handler freedom of movement at all times. At each order to “Halt” the handler will stop and his dog shall sit straight and smartly in the heel position without command or signal and shall not move until ordered to do so. It is permissible after each Halt before moving again, for the handler to give the command or signal to Heel.

The leash may be held in either hand or in both hands, at the handler’s option, provided the hands are in a natural position. However, the handler and dog will be penalized if, in the judge’s opinion, the leash is used to signal or give assistance to the dog. Any tightening or jerking of the leash, or any act, signal or command which, in the opinion of the judge, gives the dog assistance shall be penalized. The judge will give the orders “Forward”, “Halt”, “Right Turn”, “Left Turn”, “About Turn”, “Slow”, “Normal”, and “Fast”, which last order signifies that the handler must run, handler and dog moving forward at noticeably accelerated speed. These orders may be given in any sequence and may be repeated if necessary. In executing the “About Turn”, the handler will do a “Right about Turn” in all cases. The judge will say “Exercise Finished” after the heeling and then “Are you ready?” before starting the Figure Eight.

The judge will order the handler to execute the “Figure Eight” which signifies that the handler may give the command or signal to Heel and, with the dog in the heel position, shall walk around and between the two stewards who shall stand about 8 feet apart, or, if there is only one steward, shall walk around and between the judge and the steward. The Figure Eight in the Novice classes shall be done on leash only. The handler may choose to go in either direction. There shall be no About Turn in the Figure eight, but the handler and dog shall go twice completely around the Figure Eight with at least one Halt during and another Halt at the end of the exercise.

**Judging. Subsection 2.** The judge will inform the first exhibitor in each class what the heeling pattern will be ten minutes before that exhibitor enters the ring. This may be done verbally, by posting the pattern ringside or by demonstration.

The judge’s orders for the Heel on Leash exercises are “Forward”, “Halt”, “Right Turn”, “Left Turn”, “About Turn”, “Slow”, “Normal”, “Fast”, and “Figure Eight”. These orders may be given in any order and may be repeated if necessary, but the judge shall attempt to standardize the heeling pattern for all dogs in any class.

The principal feature of this exercise is the ability of the dog and handler to work as a team.

A dog must be scored zero if it does not remain in the heel position for at least 50% of the exercise, or if it is unmanageable, or if the handler continually tugs on the leash or adapts his pace to that of the dog.

Substantial deductions shall be made for additional commands or signals to Heel and for failure of dog or handler to change pace noticeably for Slow and Fast or failure to sit at a Halt.

Substantial or Minor deductions shall be made for such things as poor sits, occasionally guiding the dog with the leash, heeling wide and other imperfections in heeling.

In judging this exercise, the judge shall follow the handler at a discreet distance so that he may observe any signals or commands given by the handler to the dog, but without interfering with either dog or handler.

**STAND FOR EXAMINATION: Subsection 1. Performance.** The handler shall take his dog on leash to a place indicated by the judge, where the handler shall remove the leash and give it to a steward who shall place it on the judge's table or other designated place. On the judge's order the handler will stand or pose his dog, give the command and/or signal to Stay, walk forward about six feet in front of the dog, turn around and stand facing the dog. The method by which the dog is made to stand or pose is optional with the handler who may take any reasonable time in posing the dog before deciding to give the command and signal to Stay. The judge will approach the dog from the front, and will touch its head, body and hindquarters only, and then give the order "Back to your dog", whereupon the handler will walk around behind his dog to the heel position. The dog must remain in a standing position until the judge says "Exercise finished". The dog must show no shyness, resentment or aggression at any time during the exercise.

**Subsection 2. Judging.** The judge's orders for this exercise are "Stand your dog and leave when ready", "Back to your dog".

The principal features of this exercise are for the dog to stand in position before and during examination and to show no shyness, resentment or aggression.

A dog must be scored zero if it sits or lies down or moves away from the place where it was left either before or during the examination, displays shyness or resentment, or if it growls or snaps at any time.

A Substantial deduction shall be made for any handler that backs away from his dog or is not the proper distance from the dog during the examination, failure of the handler to maintain the correct arm and hand position during this exercise, and for any dog that moves its feet, sits or lies down after the examination but before the judge says "Exercise Finished".

The examination shall consist of touching only the dog's head, body and hindquarters with the fingers and palm of one hand. The scoring of this exercise will not start until the handler has given the command and signal to Stay, except for such things as rough treatment of the dog by its handler or active resistance by the dog to the handler's attempts to make it stand, which shall be penalized substantially.

**HEEL FREE. Subsection 1. Performance.** This exercise shall be executed in the same manner as Heel on Leash except that the dog is off leash. Heeling in both Novice and Open classes is done in the same manner except that in the Open classes all work is done off leash, including the Figure Eight.

**Subsection 2. Judging.** The judge's orders for the Heel on Leash exercises are "Forward", "Halt", "Right Turn", "Left Turn", "About Turn", "Slow", "Normal", "Fast", "Figure Eight". These

orders may be given in any order and may be repeated if necessary, but the judge shall attempt to standardize the heeling pattern for all dogs in any class.

The principal feature of this exercise is the ability of the dog and handler to work as a team.

A dog must be scored zero if it does not remain in the heel position for at least 50% of the exercise, or if it is unmanageable, or if the handler continually tugs on the leash or adapts his pace to that of the dog.

Substantial deductions shall be made for additional commands or signals to Heel or for failure of dog or handler to change pace noticeably for Slow and Fast, or failure to sit at a Halt.

Substantial or Minor deductions shall be made for such things as poor sits, occasionally guiding the dog with the leash, heeling wide and other imperfections in heeling.

In judging this exercise, the judge shall follow the handler at a discreet distance so that he may observe any signals or commands given by the handler to the dog, but without interfering with either dog or handler.

**Sit Stay – Get Your Leash (Novice). Subsection 1. Performance.** The principal feature of this exercise is that the dog remains in the sit position.

The orders are: “Sit your dog,” “Leave your dog to get your leash,” and “Back to your dog.”

The handler will stand with the dog sitting in heel position in a place designated by the judge. The judge will ask “Are you ready?” before giving the first order. On the judge’s order the handler may command and/or signal the dog to sit without touching either the dog or the dog’s collar. On further order to “Leave your dog to get your leash,” the handler may give a command and/or signal to stay and will walk forward immediately to the place designated by the judge for the leash, pick up the leash, turn, and face the dog. The judge will give the order “Back to your dog.” The handler must return directly, walking around and in back of the dog to heel position. The dog must not move from the sitting position until after the judge has said “Exercise finished.” The judge will tell the handler “Clip your leash to the collar and maintain control of your dog.” The handler is required to exit the ring with the dog under control and without jumping, pulling or tugging on the leash.

**Subsection 2. Judging** *The judge will instruct the steward to place the leash at the designated location after the Heel on Leash and Figure Eight exercise. The handler and dog will be positioned at least 30 feet from and facing the direction of the gate entrance. The judge must be in position to watch the dog and handler throughout the exercise including exiting the ring.*

**Sit Stay – Get Your Leash, Scoring.** A non-qualifying score (NQ) is required for the

following: The dog moving a substantial distance away from the place where it was left any time during the exercise, not remaining in the sit position until the handler has returned to heel position, and repeatedly barking or whining.

Scoring of the exercise for such things as rough treatment of a dog by its handler or resistance by a dog to its handler's attempts to make it sit starts with the first order, "Sit your dog." These will be penalized substantially and in extreme cases the dog may be released.

Substantial deductions will be made for a dog that moves even a short distance from where it was left, that barks or whines only once or twice, or that changes from the sit position after the handler has returned to the heel position and before the judge has said, "Exercise finished." A substantial deduction, under Miscellaneous Penalties, must be made for a dog that does not remain under control while leaving the ring.

**RECALL and DROP ON RECALL. Subsection 1. Performance.** Upon order or signal from the judge to "Leave your dog", the handler shall give his dog the command and/or signal to stay in the sitting position and shall move towards the other end of the ring, the distance to be about 40 feet, and turn around to face his dog. Upon order or signal from the judge to "Call your dog", the handler calls or signal the dog, which in the Novice classes must come straight in, at a smart pace, and sit straight, centered immediately in front of the handler's feet and close enough so that the handler could readily touch its head without moving either foot or having to stretch forward. The dog shall not touch the handler or sit between his feet. Upon order or signal from the judge to "Finish", the dog on command or signal must go smartly to the heel position and sit straight.

In the **Open classes**, at a point designated by the judge, the dog must drop completely to a down position immediately on command or signal from the handler, and must remain in the down position until, on order or signal from the judge, the handler calls or signals the dog which must rise and complete the exercise as in the Novice classes.

**Subsection 2. Judging.** The judge's orders for the Recall exercise are "Leave your dog", "Call your dog", "Finish".

The principal features of this exercise are that the dog stays where it is left and comes promptly to the handler when called.

A dog must be scored zero if it fails to stay where it is left until called, or receives an additional command or signal to stay after the handler leaves, or fails to come on the first command or signal, or does not come close enough for the handler to touch the dog's head without moving either foot.

Substantial deductions shall be made a second command to stay before the handler leaves, for standing or lying down instead of waiting in the sit position,, for slow response to come, for failure to sit in front or to finish, for an extra command or signal to sit or to finish.

Substantial or minor deductions shall be made, depending on the circumstances, for failing to come at a brisk pace, sitting out of easy reach, poor sit or finish, or for interfering with the handler, or sitting between the handler's feet.

In the **Drop on Recall** exercise, the orders are the same as for the Recall, except that the dog is required to drop when coming in on command or signal from its handler when ordered by the judge, and except that an additional order or signal to "Call your dog" is given by the judge after the Drop.

The principal feature of this exercise, in addition to those listed in the Novice Recall, are the dog's response to the handler's command or signal to drop, and the dog remaining in the down position until called or signaled to come.

A dog must be scored zero if it anticipates the drop, does not drop completely to the down position on a single command or signal, or for a dog that drops but does not remain down until called or signaled to come, plus those penalties applicable to the Novice Recall.

Substantial or minor deductions, varying with the degree of error, shall be made for slow response to the handler's command or signal to drop, or for delay or slowness in response to either of the recalls, plus those penalties applicable to the Novice Recall.

**Novice Group Exercise – Sit and Down Stay. Subsection 1. Performance.** The principal feature of this exercise is that the dog remains in the sitting or down position, whichever is required at the time.

The orders are: "Sit your dogs," "Down your dogs," "Leave your dogs," and "Back to your dogs."

If a dog has non-qualified (NQ) in an individual exercise the judge must release the dog from performing the group exercise. A dog that does not remain sitting during the first part of this exercise must be released from participating in the second part.

Handlers of dogs that have qualified during the individual exercises will have the option of returning for the group exercise. After completion of the last individual exercise, if the dog has qualified, the judge will ask if the handler will be returning for the group exercise. Once handlers have notified the judge of their decision not to return for the group exercise they may not change their minds. Dogs that have been released or excused and handlers who have left the ring during the individual exercises may not return for the group exercise.

Dogs must be spaced with a minimum of six (6) feet between each dog and a minimum of four (4) feet from the ring barriers. Judges will position the dogs in the approximate center of the ring in one row or back-to-back in two rows with a minimum of six (6) feet between the rows. If the back-to-back formation is used, it must be used for all groups in the class. On a 50' side of the ring the maximum # of dogs allowed in a single row would

be six (6) and in a back-to back row twelve (12) dogs (see tab\_\_\_\_\_

Ring Length	Maximum # of Dogs Single Row	Maximym # of Dogs Back-to-Back Row
50'	6	12
45'	5	10
40'	4	8
35'	4	8
30'	3	6

The group exercise will be conducted after the last individual team in the class, or combined classes, is judged. If there are more dogs competing than can be handled in one group exercise, the judge will divide the class into approximately equal sections.

If two classes in the same classification have different judges, each judge must judge the group exercise separately. A judge with only a single dog competing in a class would be required to have the dog perform the group exercise alone. If the same judge is judging both Novice A and B classes (in the same classification) and the combined total of the dogs returning for the group exercise can be judged in only one group without exceeding the limit of dogs based on the size of the ring, the judge may combine the two classes for the group exercise.

This exercise must be performed with the dog on a 6-foot leash. The leash will remain clipped to the dog’s collar and the handler will hold on to the leash throughout the entire exercise. The armband will remain on the handler’s left arm. The dogs will be lined up in judging program order. Prior to beginning the exercise, the judge will instruct the handlers to remove their dog if it starts to move out of position. The judge will ask “Are you ready?” before giving the first order. On the judge’s order, the handlers will command and/or signal their dogs to sit without touching either the dog or the dog’s collar. On further order to “Leave your dogs,” the handlers may give a command and/or signal to stay and will walk forward immediately to the end of the leash, without jerking or tightening the leash, turn, and face their dogs. The leash must remain loose with slack throughout the entire exercise.

After one minute from the time the judge ordered the handlers to leave their dogs, the

judge will give the order “Back to your dogs.” The handlers must return directly, walking around and in back of their own dog to heel position. The dogs must not move from the sitting position until after the judge has said “Exercise finished.” This order will not be given until the handlers are back in heel position. The dogs must remain under control between this two-part exercise.

Before starting the Down Stay portion of this exercise the judge will ask “Are you ready?” On the judge’s order, the handlers will command and/or signal their dog to down without touching either the dog or the dog’s collar. On further order to “Leave your dogs,” the handlers may give a command and/or signal to stay and will walk forward immediately to the end of the leash, without jerking or tightening the leash, turn, and face their dogs. The leash must remain loose with slack throughout the entire exercise.

After one minute from the time the judge ordered the handlers to leave their dogs, the judge will give the order, “Back to your dogs.” The handlers must return directly, walking around and in back of their own dog to heel position. The dogs must not move from the down position until after the judge has said “Exercise finished.” This order will not be given until the handlers are back in heel position. The judge will tell the exhibitors “Maintain control of your dogs.” The handlers are required to exit the ring with their dogs under control and without jumping, pulling or tugging on the leash.

**Subsection 2. Judging.** *If a judge observes any signs of aggression or potential problems when the dogs are being assembled outside the ring for the group exercise or once the dogs are brought into the ring, the judge must excuse the dog and mark the judge’s book “Excused” and state the reason.*

*Any handlers who physically correct their dogs before or after the group exercise or while leaving the ring must be penalized under Miscellaneous Penalties.*

*Judges must stand with their full attention on the dogs and handlers during the group exercise and remain alert to any potential problems. To have both dog and handler under constant observation in this exercise, a judge should take a position slightly to the rear of the dogs at one end of the row(s) of dogs.*

**Group Exercise – Sit and Down Stay, Scoring.** A non-qualifying score (NQ) is required for the following: The dog moving a substantial distance away from the place where it was left any time during the exercise, not remaining in the required position until the handler has returned to heel position, and repeatedly barking or whining.

Substantial deductions will be made for the following: A dog that must be repositioned by its handler if it is out of position enough to interfere with an adjacent dog (in extreme cases the dog may be released), that moves even a short distance from where it was left, that barks or whines only once or twice, or that changes position after the handler has returned to heel position and before the judge has said, “Exercise finished.” A substantial



deduction will be made for jerking or tightening of the leash before the judge has said "Exercise finished;" depending on the extent, the deduction may include a non-qualifying (NQ) score. A substantial deduction, under Miscellaneous Penalties, must be made for a dog that does not remain under control while leaving the ring.

Minor or substantial deductions, depending on the circumstances, will be made for touching the dog or its collar while getting the dog into the down position.

Scoring of the exercise for such things as rough treatment of a dog by its handler or resistance by a dog to its handler's attempts to make it sit or lie down starts with the first order, sit or down your dogs. These will be penalized substantially and in extreme cases the dog may be released.

The timing of each stay exercise begins on the judge's order, "Leave your dogs."

**Command Discrimination. Subsection 1. Performance.** The principal features of this exercise are the dog's correct response to the handler's commands and/ or signals and that the dog stays until the handler returns to heel position.

The orders are: "Leave your dog" and "Back to your dog." The judge must use signals for directing the handler to command and/or signal the dog to change position except for the first position and that order is: "Stand your dog" or "Down your dog."

The handler will stand with the dog sitting in heel position in a place designated by the judge. The judge will ask "Are you ready?" before giving the first order to "Stand your dog" or "Down your dog." The handler will give a command and/or signal for the dog to change position. On further order to "Leave your dog," the handler may give a command and/or signal to stay and will immediately walk forward 15 feet, turn, and face the dog. On the judge's signal, the handler will give a command and/or signal for the dog to change to the second position. The judge will then order "Leave your dog." The handler may give a command and/or signal to stay and will immediately turn around and walk forward an additional 15 feet, turn, and face the dog. On the judge's signal, the handler will give a command and/or signal for the dog to change to the third position. The judge will then order "Back to your dog." The handler may give a command and/or signal to stay, and then must return directly, walking around and in back of the dog to heel position. The dog must stay in position without additional commands or signals until the handler has returned to heel position. The handler's hands and arms must hang naturally at the handler's side.

**Subsection 2. Judging.** *This exercise may be performed in any area of the ring that is 40 feet in length. The 15-foot distances must be clearly marked. The judge must be positioned so that both the dog and handler are under continuous observation during the entire exercise. An excellent position for judging this exercise is at an adequate distance*

*to the side and slightly to the rear of the dog.*

**Command Discrimination, Scoring.** A dog that fails to obey the handler's first command and/or signal for each position or that does not stay until the handler returns to heel position must receive a non-qualifying (NQ) score.

Substantial deductions will be made for a dog that changes position after the handler has returned to heel position and before the judge has said "Exercise finished."

Minor or substantial deductions, up to a non-qualifying (NQ) score, will be made for the handler's hands and arms not hanging naturally at the handler's side. Depending on the extent, minor or substantial deductions, up to a non-qualifying (NQ) score, will be made for a dog that walks forward.

**Stand Stay – Get Your Leash. Subsection 1. Performance.** The principal feature of this exercise is that the dog stand and stay in position until the handler has returned to heel position.

The orders are: "Stand your dog," "Leave your dog to get your leash," and "Back to your dog."

The handler will stand with the dog sitting in heel position in a place designated by the judge, approximately 15 feet from the ring gate. The judge will ask "Are you ready?" before giving the first order. On the judge's order, the handler will command and/or signal the dog to stand without touching the dog or the dog's collar. The dog must stand but need not stand in heel position.

On further order to "Leave your dog to get your leash," the handler may give a command and/or signal to stay and will walk forward directly to the place outside the ring gate designated by the judge for the leash. The handler will pick up the leash, re-enter the ring, stop and wait for the judge's order "Back to your dog." The handler must return directly, walking around and in back of the dog to heel position. The dog must remain standing until the judge has said "Exercise finished." The judge will tell the handler "Attach your leash to the collar and maintain control of your dog." The handler is required to exit the ring gate with the dog under control and without jumping, pulling or tugging on the leash.

**Subsection 2. Judging.** *Prior to the start of judging, the judge will decide where the leash will be placed outside the ring on a chair or similar leash holder.*

*The leash will be placed outside the ring by the steward after the dog and handler have entered the ring for judging. When positioning the dog and handler for this exercise, the judge should ensure that such positioning will permit the dog to keep the handler in its*

*direct line of vision as the handler leaves and returns to the ring, and that the handler, when re-entering the ring, is at least 15 feet away from the dog until ordered to return. During this exercise, the judge must be in position to watch the dog and see the handler leave and return to the ring. Once the exercise is finished, the judge must watch the dog and handler exit the ring together.*

**Stand Stay – Get Your Leash, Scoring.** A non-qualifying score (NQ) is required for a dog that does any of the following: Fails to stand on the first command and/or signal, moves a substantial distance away from the place it was where it was left, sits or lies down before the handler has returned to heel position, or repeatedly barks or whines.

Substantial deductions will be made for a dog that sits or lies down after the handler has returned to heel position and before the judge has said, “Exercise finished.”

Depending on the circumstances, minor or substantial deductions will be made for the dog that moves a short distance from where it was left, or that moves its feet repeatedly while remaining in place.

A substantial deduction, under Miscellaneous Penalties, must be made for a dog that does not remain under control while leaving the ring.

**RETRIEVE ON FLAT. Subsection 1. Performance.** In retrieving the dumbbell on flat, the handler stands with his dog sitting in the heel position in a place designated by the judge, and the judge will give the orders “Throw it” whereupon the handler may give the command and/or signal to Stay, which may not be given with the hand that is holding the dumbbell, and throws the dumbbell a distance of at least 20 feet; “Send your dog” whereupon the handler gives the command to signal to his dog to Retrieve; “Take it”, whereupon the handler may give a command or signal and take the dumbbell from the dog; “Finish”, whereupon the handler gives the command or signal to go to the heel position. The dog shall not move forward to retrieve until ordered by the handler. The retrieve shall be executed at a fast trot or gallop, without unnecessary mouthing or playing with dumbbell. The dog shall sit straight, centered immediately in front of its handler’s feet, and close enough so that the handler can readily take the dumbbell without moving either foot or having to stretch forward. The dog shall not touch the handler or sit between his feet.

The dumbbell, which must be approved by the judge, shall be made of wood, or of a rigid, nontoxic material, similar in size, shape, color, and weight to a wooden dumbbell. It may be unfinished, or coated with a clear finish, or painted white. It shall have no decorations or attachments. The size of the dumbbell shall be proportionate to the size of the dog. If the dumbbell is thrown unsatisfactorily, the judge may request a re-throw.

**Subsection 2. Judging.** The judge's orders for this exercise are "Throw it", "Send your dog", "Take it", "Finish".

The principal features of this exercise is that the dog retrieves the dumbbell on command or signal and returns it to the handler.

A dog must be scored zero if it fails to retrieve or goes to retrieve before the command or signal is given, fails to return close enough for the handler to take the dumbbell without moving either foot, fails to release the dumbbell, plus those penalties applicable to the Novice Recall.

Substantial or minor deductions, depending on the circumstances in each case, shall be made for slowness in going out or returning, slowness in picking up the dumbbell, mouthing or playing with the dumbbell, dropping the dumbbell, for reluctance to release the dumbbell to the handler, or for the handler having to stretch forward to take the dumbbell, plus those penalties applicable to the Novice Recall.

**RETRIEVE OVER THE HIGH JUMP. Subsection 1. Performance.** The handler must stand at least 8 feet, or any reasonable distance beyond 8 feet, from the jump but must stay in the same spot throughout the exercise, and he must throw the dumbbell at least 8 feet beyond the jump. The Retrieve over High Jump is executed in the same manner as the Retrieve on Flat, except that the dog must jump the High Jump both coming and going. The High Jump shall be jumped clear and the jump shall be as nearly as possible the height of the dog at the withers, with a minimum height of 8 inches and a maximum height of 36 inches. (See Appendix IIIA for a list of breed and age exceptions, and Appendix "G" for measurements.)

The side posts of the High Jump shall be 4 feet high and the jump shall be 5 feet wide, and shall be so constructed as to provide adjustment for each 2 inches from 8 inches to 36 inches. The height of the bottom board shall be 8 inches including the space from the bottom of the board to the ground. Two other 8 inch boards, one 6 inch, one 4 inch and one 2 inch board shall be provided. The jump shall be painted a flat white. The height in inches and nothing else, shall be painted on each side of each board in black 2 inch figures, the figure on the bottom board representing the distance from the ground to the top of the board.

**Subsection 2. Judging.** The judge's orders for this exercise are "Throw it", "Send your dog", "Take it", "Finish".

The principal features of this exercise are that the dog, on command or signal, jumps the High Jump, retrieves the dumbbell and returns it over the jump to the handler.

A dog must be scored zero if it fails to go out over the high jump on the first command or signal, climbs the jump, or uses the top of the jump as an aid in going over, or fails to retrieve over the jump, or goes to retrieve before the command or signal is given, or does not return over the jump, or fails to come close enough for the handler to take the dumbbell without moving either foot, or fails to release the dumbbell, plus those penalties applicable to the Novice Recall.

Substantial or minor deductions shall be given, varying with the degree of error, for touching the jump, or slowness in going out or returning, or slowness in picking up the dumbbell, mouthing or playing with the dumbbell, dropping the dumbbell, or for reluctance to release the dumbbell to the handler, or for the handler having to stretch forward to take the dumbbell, plus those penalties applicable to the Novice Recall.

The jump may be preset by the stewards based on the handler's advice as to the dog's height. However, the judge must make certain in all cases that the jump is set at the proper height for each dog and shall measure the dog, at a suitable location on the trial grounds with an ordinary folding rule or steel tape, if there is any question as to the proper height.

**BROAD JUMP. Subsection 1. Performance.** In the Broad Jump, the handler will position himself within 15 feet and facing the jump with his dog sitting in the heel position. On order from the judge to "Leave you dog", the handler will give his dog the command and/or signal to stay and go to a position facing the right side of the jump, with his toes at least 2 feet from the jump and not more than 3 feet from the jump, and anywhere between the first and last hurdles. On order from the judge, the handler shall give the command or signal to Jump and the dog shall clear the entire distance of the Broad Jump without touching, and, without further command or signal, return to a sitting position immediately in front of the handler as in the Recall. The handler shall change his position while the dog is in mid-air by executing a right turn, but shall remain in the same spot. On order from the judge, the handler will give the command or signal to Heel and the dog shall finish as in the Recall.

The Broad Jump shall consist of four separate hurdles, built to telescope for convenience, made of boards about 8 inches wide, the largest measuring about 5 feet in length and 7 inches high at the highest point, all painted a flat white. When set up, they shall be arranged in order of size and shall be evenly spaced so as to cover a distance equal to twice the height of the High Jump as set for the particular dog, with the low side of each hurdle and the lowest hurdle nearest the dog. The four hurdles shall be used for a jump of 48 to 72 inches, three for a jump of 28 to 44 inches, and two for a jump of 16 to 24 inches. The highest hurdle shall be removed first.

When measuring the broad jump the distance should be measured along the sides of the jump at ground level and not along the top of the hurdles. \*

- A table of jump measurements will be found in Appendix III.

**Subsection 2. Judging.** The judge's orders for this exercise are "Leave your dog", "Send your dog", "Finish".

The principal features of this exercise are that the dog stay sitting until directed to jump, that the dog clears the jump on a single command or signal and returns promptly to the handler.

A dog must be scored zero if it fails to stay until directed to jump, is given an extra command to stay after the handler leaves, refuses the jump on the first command or signal, walks over any part of the jump, fails to clear the full distance, or fails to come close enough for the handler to touch the dog's head without moving either foot.

Substantial or minor deductions shall be given for the dog being given an extra command to stay before the handler leaves, for the handler standing too close to the jump, for the dog that stands or lies down before directed to jump, for touching the jump going over, for the handler not turning while the dog is in mid-air, or for a poor return, plus all penalties applicable to the Novice Recall.

**SEEK BACK. Subsection 1. Performance.** In the Seek Back exercise, the handler will stand with his dog sitting in the heel position and, on order from the judge, will signal or command his dog to walk at heel, and then on specific orders from the judge, will execute such portions of the Heel Free exercise as the judge may order. On order from the judge to “Drop it”, the handler will surreptitiously drop a plain glove as he is walking with his dog at heel. The glove must be approved by the judge and must not be a conspicuous one or white in colour. After the handler and the dog have proceeded about 30 feet following the dropping of the glove, on order from the judge the handler will About Turn and Halt with his dog. Then on order from the judge, the handler gives the command to seek back and retrieve the glove. The handler should not point to the glove but may give his dog the direction of the trail by a single motion of his left hand and arm, and may not give any other signal of give his scent to the dog; the handler is to remain in the spot from which the dog is sent. The dog is to retrieve either by sight or by scent, and is expected to find the glove, and pick it up. The exercise is to be completed as in the Retrieve on Flat.

**Subsection 2. Judging.** The judge’s orders for this exercise are “Forward,” (followed by any other orders which the judge may give from the Heel Free routine), “Drop it,” “Halt,” “Send your dog,” “Take it,” “Finish,” “Exercise finished.” The judge must include at least one right or left turn in the heeling pattern. The glove will be dropped anywhere other than the center line of the send away.

The principal features of this exercise are that the dog, on the handler’s command, must seek and retrieve the glove and return promptly with it to the handler.

A dog must be scored zero if it fails to leave its handler promptly on the first command, or goes before commanded, or does not continue to seek while away from its handler, or does not find and pick up the glove, or does not return close enough for the handler to take it without moving either foot, or refuses to release the glove.

Substantial or minor deductions, depending on the circumstances, shall be given for poor heeling, or playing with the glove, or going or returning slowly, or failure to return directly, or reluctance to release the glove.

All other penalties listed under Heel Free and Retrieve on Flat exercises shall also apply. Should the Bar or High Jump lie directly between dog and handler after the retrieve, the dog shall not be penalized for returning with the glove over the jump.

## **SCENT DISCRIMINATION**

**Subsection 1. Performance.** In each of these two exercises, the dog must select by scent alone and retrieve an article, which has been handled by its handler. The articles shall be provided by

the handler and these shall consist of three sets, each comprised of five identical articles, one set being wood, one metal and one leather. The articles in each set must be legibly numbered 1 through 5. When two trials are held on one day, an additional set of articles numbered 1 through 5 or articles numbered 6 shall be substituted for the articles used in the first trial. The handler shall present all the articles to the judge, who shall select 2 articles, 1 from any 2 of the 3 sets. These 2 articles shall be placed on the judge's table or a chair in the ring until the judge orders the handler to "Take An Article." The remaining 13 articles are placed in full view, about 15' in front of the handler and the dog,, about 6" apart and may be handled by the steward or judge.

After the articles are placed, the handler will turn his back to the articles. When ordered by the judge, the handler will choose one of the 2 designated articles. The handler should confirm the number of the articles with the judge and one steward. The handler, with hands remaining in sight, imparts his scent to the article. When ready or when requested by the judge, the handler will put the scented article on the judge's book or clipboard, and the judge will place it among the other articles.

Taking the article from the handler will be considered the first order, and scoring of the exercise will begin at that time.

The judge will then give the order "Send Your Dog." The handler may either give the dog the command or signal to heel, execute a right about turn, stop to face the articles (at which point the dog sits at heel), and then give the command or signal to retrieve. Or, the handler may give the command or signal to retrieve before executing the right about turn towards the articles. The method by which the handler sends the dog must be the same for both articles.

In either case, the handler may give the dog his scent by cupping the palm of one hand in front of the dog's nose before giving the command or signal to retrieve. However, the hand must be returned to a normal position before the command or signal to retrieve is given.

The dog should go briskly to the articles, but may take a reasonable time to select the right article provided the dog works continuously. After finding and picking up the right article, the dog should bring it briskly to the handler. The exercise is completed as in the retrieve exercises.

The same procedure is followed in each of the two Scent Discrimination exercises. Should a dog retrieve a wrong article in any of the two exercises, it shall be placed on the table or chair, and the handler's article must also be removed from the remaining articles. At the close of these exercises, the articles shall be picked up and returned to the judge's table.

**Subsection 2. Judging.** The judge's orders for each of the Scent Discrimination exercises are "Send your dog", "Take it", "Finish".

The principal features of these exercises are the dog's selection of the handler's articles from among the other articles, by scent alone, and returning the article promptly to the handler. The minimum penalties shall be the same as for the Retrieve on Flat.

A dog must be scored zero for the particular exercise, if it fails on the first command or signal to go out to the articles, goes before commanded, fails to return the correct article close enough for the handler to take it without moving either foot, or fails to release the article, or if the handler changes his method of sending the dog.

Substantial deductions shall be made for a dog that is excessively slow going out or returning, or that picks up the wrong article even though it puts it down again immediately, and for any roughness by the handler in imparting his scent to the dog.

Substantial or minor deductions, depending on the circumstances in each case, shall be made for a dog that is slow or inattentive, or the dog does not work continuously, or plays excessively with the articles, or mouths the articles or has a poor sit, or is reluctant to release the article to the handler, or has a poor finish.

**SIGNAL EXERCISE. Subsection 1. Performance.** In the Signal exercise, the heeling is done in the same manner as in the Heel Free exercise except that, throughout the entire exercise, the handler uses signals only and must not speak to his dog at any time. On order from the judge "Forward", the handler may signal his dog to walk to heel and then, on specific order from the judge in each case, the handler and the dog execute a "Left turn", "Right turn", "About turn", "Halt", "Slow", "Normal" and "Fast". These orders may be given in any sequence and may be repeated if necessary. Then, on order from the judge and while the dog is walking at heel, the handler signals his dog to Stand in the heel position near the end of the ring, and on further order from the judge "Leave your dog", the handler signals his dog to Stay, goes to the far end of the ring, and turns to face his dog. Then on separate and specific signals from the judge in each case, the handler will give the signals to Drop, to Sit, to Come, and to Finish as in the Recall. During the heeling part of this exercise, the handler may not give any signal except where a command or signal is permitted in the Heeling exercise.

**Subsection 2. Judging.** . The judge's orders for this exercise are "Forward", "Left turn", "Right turn", "About turn", "Halt", "Slow", "Normal", "Fast", "Stand", and "Leave your dog", and in addition the judge must give the handler signals to signal the dog to Drop, to Sit, to Come and to Finish. The orders for those parts of the exercise, which are done with the dog at heel, may be given in any order and may be repeated if necessary, except that the order to "Stand" shall be given when the handler and dog are walking at a normal pace. The signals given the handler after he has left his dog in the Stand position will be given in the order specified above.

The principal features of this exercise are the heeling of the dog as described for the Heel exercises, and the prompt response to the handler's signals given to the dog at a distance.

A dog must be scored zero if it fails, on a single signal from the handler, to stand and remain standing where left, or to drop, or to sit and stay, or to come, or that receives an audible command from the handler for any part of this exercise.

Substantial deductions shall be made for any audible commands given during the heeling part of the exercise or for the finish..



Substantial or minor deductions, depending on the circumstances in each case, shall be made for a dog that makes minor moves on the stand, and/or drop, and/or sit portions of the exercise. All of the deductions listed under the Heel and Recall exercises shall also apply to this exercise

## **MOVING STAND & EXAMINATION**

**Subsection 1. Performance.** In the Moving Stand exercise the handler will stand with his dog sitting in heel position at a point indicated by the judge. On orders from the judge “Forward”, the handler may command or signal the dog to heel, and walk at a normal pace. After the handler has proceeded about 10’ the judge will order “Stand Your Dog”. The handler will, without pausing command and /or signal the dog to stand and continue forward about 10’ – 12’ and turn around either to the right or left, and stand facing the dog. The dog must stand and stay in position. The judge will approach the dog from the front to examine the dog as in conformation judging by going over it with his hands, except that the judge shall not open the dog’s mouth or touch the dog’s testicles. The judge will order “Call Your Dog”, whereupon the handler will command or signal the dog to come. The dog will come at a brisk pace and sit in front of the handler, and on further command from the judge, the handler will command or signal the dog to go promptly to heel position beside the handler

**Subsection 2. Judging.** The orders for the exercise are “Forward”, “Stand Your Dog”, “Call Your Dog”, “Finish”. The handler will stand with his dog sitting in heel position at a point indicated by the judge.

The principal features of this exercise is that the dog heel, stand and stay as the handler moves away, accepts the examination without shyness or resentment and returns to the handler on command.

A dog must be scored zero if it displays fear or resentment, moves from the place where it was left, sits or lies down before it is called, growls or snaps, repeatedly whines or barks, fails to heel, stand, stay, accept the judge’s examination or fails to return to the handler.

Substantial or minor penalties, depending on the circumstances, should be made for the handler who hesitates or pauses while giving the stand command and/or signal.

Substantial or minor deductions must be made for a dog that moves, depending upon the circumstances, its feet repeatedly while remaining in place. All appropriate penalties of the Novice Heel Free, Stand for Examination and Recall exercises will apply.

**DIRECTED JUMPING. Subsection 1. Performance.** In the Directed Jumping exercise, the jumps shall be placed midway in the ring, at right angles to the sides of the ring, 20 feet apart in an outdoor ring but in no case less than 15 feet apart in an indoor ring, the Bar Jump on one side, the High Jump on the other. The handler from a position on the center line of the ring and about 20 feet from the line of the jumps, stands with his dog sitting in the heel position. On order or signal from the judge “Send your dog”, he command and /or signals his dog to go forward at a smart pace toward the other end of the ring to an equal distance beyond the jumps and in the approximate center, where the handler gives the command to Sit, whereupon the dog must stop and sit with its attention on the handler; the dog need not sit squarely at this point. The judge will then designate which jump is to be take first by the dog, whereupon the handler commands and /

or signals his dog to return to him over the designated jump, the dog sitting in front of the handler and finishing as in the Recall.

A signal used in either case must be a single gesture with the arm and hand only, and the arm must be promptly returned to its normal position. While the dog is in mid-air, the handler may turn so as to be facing the dog as it returns. The judge will say "Exercise finished" after the dog has returned to the heel position. When the dog is again sitting in the heel position for the second part of the exercise, the judge will ask "Are you ready" before giving the order or signal "Send you dog" for the second jump. The same procedure is to be followed for the dog taking the opposite jump. It is optional with the judge which jump is taken first but both jumps must be taken to complete the exercise and the judge must not designate the jump until the dog is at the far end of the ring. The height of the jumps shall be the same as required in the Open classes. The High Jump shall be the same as that used in the Open classes, and the Bar Jump shall consist of a bar between 2 and 2.5 inches square, painted flat black and white in alternate section of about 3 inches each. The bar shall be supported by two unconnected 4 foot upright post about 5 feet apart. The bar shall be adjustable for each 2 inches of height from 8 inches to 36 inches, and the jump shall be so constructed and positioned that the bar can be knocked off without disturbing the uprights. The dog shall clear the jumps without touching them.

**Subsection 2. Judging.** The judge's first order is "Send your dog", then, after the dog is sitting at the far end of the ring, the judge shall designate which jump is to be taken by the dog, whereupon the handler command and/or signals his dog to return to him over the designated jump, the dog sitting in front of the handler and finishing as in the Recall. After the dog returns to the handler, the order "Finish" is given followed by "Exercise finished". The same sequence is then followed for the other jump.

The principal features of this exercise are that the dog goes away from the handler in the direction indicated, stops when commanded, jumps as directed and returns as in the Recall.

A dog must be scored zero if, in either half of the exercise, it does not leave its handler, does not go out between the jumps and a substantial distance beyond, does not stop on command, anticipates the handler's command and/or signal to stop, sit or jump, does not jump as directed, or knocks the bar off the uprights or climbs over the High Jump or uses the top of the High Jump for aid in going over.

Substantial or minor deductions, depending on the circumstances in each case, shall be made for slowness in going out or for touching the jumps.

Minor deductions shall be made for a dog that does not stop in the approximate center of the ring, or that fails to sit. All of the minimum penalties listed under the Recall shall also apply. The judge must make certain that the jumps are set at the required height for each dog.

## CHAPTER IV AMENDMENTS

- **Subsection 1.** These Obedience Trial Regulations are subject to amendment by a majority vote of the Board Members of The Bermuda Kennel Club. The proposed changes must be sent to each Board Member of the Bermuda Kennel Club at least ten days prior to the date of the next Board meeting of The Bermuda Kennel Club.
- **Subsection 2.** Amendments may be proposed by ten members of The Dog Training Club or by the Board of Governors of The Dog Training Club.
- **Subsection 3.** The Board of Governors of The Bermuda Kennel Club shall set the effective date of any approved amendments.

### **APPENDIX I. BREEDS RECOGNIZED BY THE BERMUDA KENNEL CLUB**

For a current list of breeds recognized by The Bermuda Kennel Club please contact the registration officer, The Bermuda Kennel Club, Box HM 1455, Hamilton HMFx, Bermuda.

Other breeds recognized by the Board of Governors of The Bermuda Kennel Club may be added to the list of recognized breeds. The Board of Governors may also remove any breed from the list of recognized breeds or transfer any breed from one group to another whenever, in its opinion, sufficient evidence is presented to the Board to justify such transfer.

As provided in paragraph [a] INTERPRETATIONS of the Obedience Trial Regulations, the Board of Governors of The Bermuda Kennel Club has designated the following breeds as eligible for INDEFINITE LISTING PRIVILEGES:

American Bulldogs  
 Australian Kelpies  
 Beaucerons  
 Bergers des Pyrenees  
 Canadian Eskimo Dogs  
 Entlebucher Sennenhunds  
 Hovawarts  
 Leonbergers  
 Munsterlanders (Large)  
 Norwegian Buhunds  
 Plott Hounds  
 Redbone Coonhounds  
 Setters (Irish Red & White)  
 Swedish Vallhunds

The Board of Governors of The Bermuda Kennel Club may add or remove any breed from the list of breeds designated eligible for Indefinite Listing Privileges whenever there is sufficient evidence to do so.

Dogs that have been granted Indefinite Listing Privileges or Mixed Breed Registry numbers may be entered in Agility trials, Obedience trials and/or Tracking tests. They are not eligible for

individual registration with The Bermuda Kennel Club and therefore may not be entered in Conformation shows.

Application forms for Indefinite Listing Privileges or Mixed Breed Registration can be obtained from The Bermuda Kennel Club, Box HM 1455, Hamilton HMFY, Bermuda.

## **APPENDIX II. THE BERMUDA KENNEL CLUB REGULATIONS GOVERNING SANCTIONED OBEDIENCE MATCHES.**

1. A “SANCTIONED OBEDIENCE MATCH” is an informal meeting held by a club obtaining the sanction of The Bermuda Kennel Club, at which dogs that are registered with, or eligible for registration with, The Bermuda Kennel Club may compete for ribbons and prizes, but no score obtained at such a match shall be considered as a qualifying score towards an obedience title. Sanctioned Obedience Matches shall be governed by specific regulations laid down by the Board of Governors for such matches.
2. All clubs or associations must obtain the sanction of The Bermuda Kennel Club to hold Sanctioned Obedience Matches. Applications for Sanctioned Obedience Match dates must be made in the form of a letter addressed to the Secretary, The Bermuda Kennel Club, P.O. Box HM 1455, Hamilton, HM FX, Bermuda, not less than 21 days prior to the date of the match.
3. The responsibility of selecting competent judges shall be that of the match-giving club or association.
4. Each club or association sponsoring a Sanctioned Obedience Match must appoint a match Superintendent as well as a Match Secretary and Ring Stewards.
5. Classes may be provided for all official obedience classes and for unofficial classes, and the proposed classes shall be specified in the application for the match date. Utility classes may be held only if Open and Novice classes are offered; Open classes may be held only if Novice classes are offered.
6. The judges’ books should be Obedience Trial score sheets. Duplicate copies are not required. Each judge shall sign his judge’s book.
7. Prizes: Ribbons, cards or rosettes.

All prize ribbons, cards or rosettes given out at Sanctioned Matches must have the words “Sanctioned Obedience Match” on them. They shall be the following colours:

First – Rose

Second – Brown

Third – Light Green

Fourth – Grey

A dog shall not be given a ribbon in a class at a Sanctioned Obedience match if the dog earns less than a qualifying score in the class.

Adopted by the Board of Governors as provided for in Chapter I, Section 15, of the Obedience Trial Regulations.

**APPENDIX III. TABLE OF MEASUREMENTS FOR JUMPS**

Height of dog at withers	Height of High Jump	Length of Broad Jump	Number of hurdles – broad jump
Up to 9.5"	8"	16"	2
10" – 11.5"	10"	20"	2
12" – 13.5"	12"	24"	2
14" – 15.5"	14"	28"	3
16" – 17.5"	16"	32"	3
18" – 19.5"	18"	36"	3
20" – 21.5"	20"	40"	3
22" – 23.5"	22"	44"	3
24" – 25.5"	24"	48"	4
26" – 27.5"	26"	52"	4
28" – 29.5"	28"	56"	4
30" – 31.5"	30"	60"	4
32" – 33.5"	32"	64"	4
34 – 35.5"	34"	68"	4
36" or more	36"	72"	4

**APPENDIX IIIA**

**Breed Specifications (Retrieve over the high jump)**

**Small Breeds:**

Basset Hound  
 Bulldog  
 Cesky Terrier  
 Clumber Spaniel  
 Dachshunds (all six varieties)  
 Dandie Dinmont  
 French Bulldog  
 Pekingese  
 Petit Basset Griffon Vendéen  
 Scottish Terrier  
 Sealyham Terrier  
 Skye Terrier  
 Welsh Corgi

**Giant Breeds:**

Bernese Mountain  
 Black Russian Terrier  
 Bloodhound  
 Bullmastiff  
 Great Dane  
 Great Pyrenees  
 Greater Swiss Mountain Dog

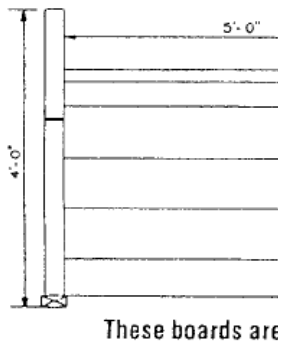
Irish Wolfhound  
 Leonberger  
 Mastiff  
 Neopolitan Mastiff  
 Newfoundland  
 Saint Bernard

Veteran dogs at least 7 years of age on the day of the trial, at the option of the handler

Breeds jumping 3/4 of their height at the shoulders jump the following heights for High and Bar Jumps, and twice that distance for the Broad Jump. Veteran dogs, at the option of the handler, may jump 3/4 of the height required for their breeds.

Measured height of dog at withers	Jump Height
15 cm (6")	10 cm (4")
17.5 cm (7")	12.5 cm(5")
20 cm (8")	15 cm (6"0
22.5 cm (9")	17.5 cm (7")
25 cm (10")	17.5 cm (7")
27.5 cm (11"0	20 cm (8")
30 cm (12")	22.5 cm (9")
32.5 cm (13")	25 cm (10")
35 cm (14")	27.5 cm (11")
37.5 cm (15")	27.5 cm (11")
40 cm (16")	30 cm (12")
42.5 cm (17")	32.5 cm (13"
45 cm (18")	35 cm (14")
47.5 cm (19")	37 cm (14")
50 cm (20")	37.5 cm (15")
52.5 cm (21")	40 cm (16")
55 cm (22")	42.5 cm (17")
57.5 cm (23")	42.5 cm (17")
60 cm (24")	45 cm (18")
62.5 cm (25")	47.5 cm (19")
65 cm (26")	50 cm (20")
67.5 cm (27")	50 cm (20")
70 cm (28")	52.5 cm (21")
72.5 cm (29")	55 cm (22")
75 cm (30")	57.5 cm (23")
77.5 cm (31")	57.5 cm (23")
80 cm (32")	60 cm (24")
82.5 cm (33")	62.5 cm (25")
85 cm (34")	65 cm (26")
87.5 cm (35")	65 cm (26")
90 cm (36")	67.5 cm (27")

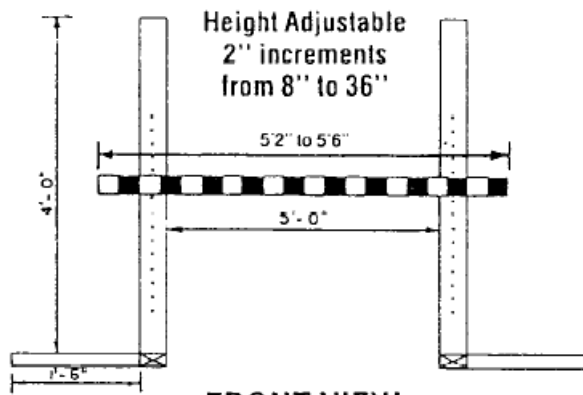
### SUGGESTED CONSTRUCTION OF HIGH JUMP



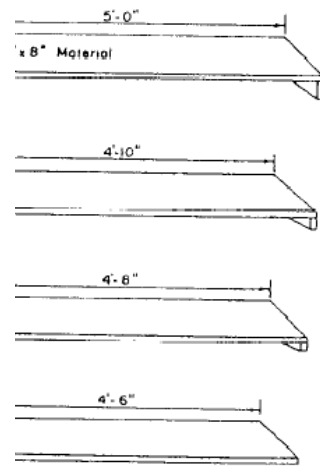
These boards are

FRONT V

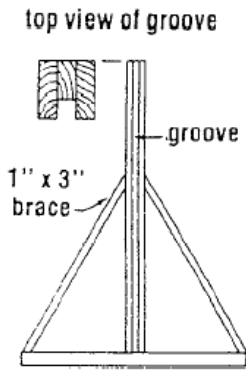
### SUGGESTED CONSTRUCTION OF BAR JUMP



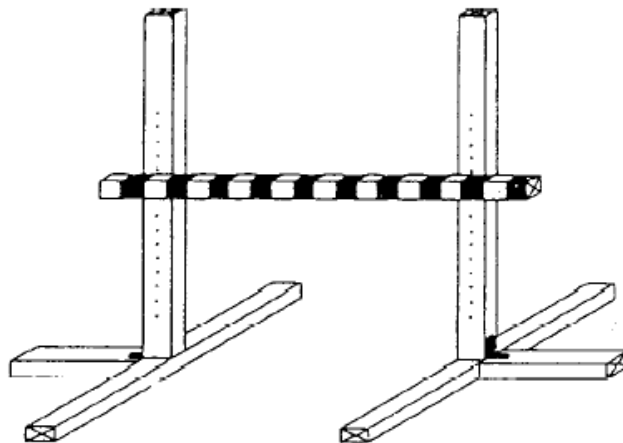
FRONT VIEW



ELEVATION



SIDE

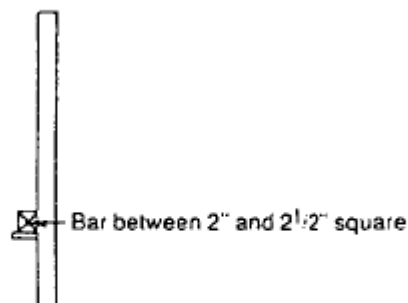


ELEVATION



END VIEW OF FOUR HURDLES

The high jui



... painted a flat white.



